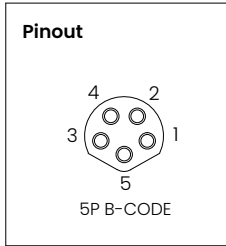
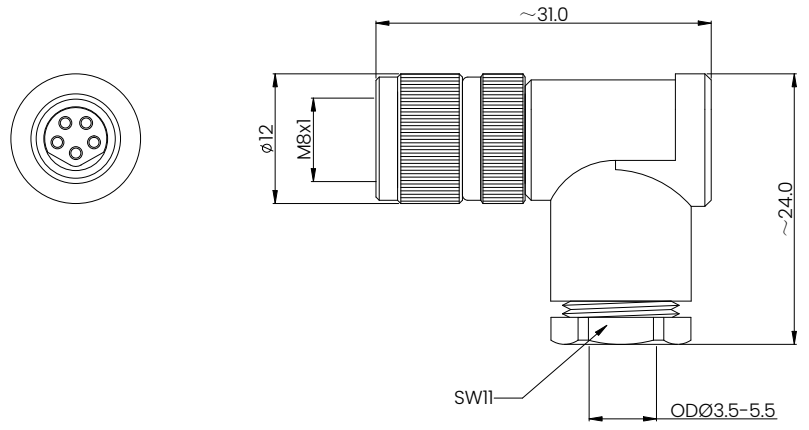




REV	DESCRIPTION	DATE	APPROVEN
R1.0	First issue	2024/03/12	JIM.KING



Technical Specifications	
Coupling	Threaded Coupling
Termination	Screw
Pollution Degree	3
Mating Cycles	≥500
IP Rating	IP67 When Mated
Temperature Range	-25°C ~ +80°C

Core count	4
Rated Voltage/Current	3A/60V
Rated Pulse Voltage	800V
Insulation Resistance (MΩ)	≥100
Contact Resistance (mΩ)	≤3

6	Nut	PA66 UL94-V0	Black	1
5	Sealing Ring	NBR	Black	1
4	Center Pin	Copper Alloy	Gold Plating	/
3	Insulator	PA66 UL94-V0	Black	1
2	Shell	PA66 UL94-V0	Black	1
1	Screw	Brass	Nickel Plating	1
NO	DESCRIPTION	MATERIAL	FINISH	QTY

-TOLERANCES-
UNLESS OTHERWISE
SPECIFIED

UNLESS OTHERWISE SPECIFIED
TOLERANCES FOR MILLIMETERS
ARE:
0.5 - 8mm ± 0.20mm
8 - 30mm ± 0.25mm
30 - 120mm ± 0.30mm

IETABEE **Metabee (Chengdu) Technology Co., Ltd.**
Tel: +8615926241606 E-mail: Sales@metabeeai.com

PART DESCRIPTION:
R/A M8 Female Connector, Field Wireable

P/N:
M8-05-B-S-3-R

Appd:	Jim.king	Date	Scale	Unit	Page
Check:		2024.03.12	Free	MM	1/1
Draw:	Gavin				