

# R/A M8 Male Connector, Field Wireable

## Features:

- Threaded Coupling
- IP67 (Rating)
- Pollution Degree: 3
- Products Comply With IEC 61076-2-101 Industry 4.0 Agreement, NEMA2000 Standard



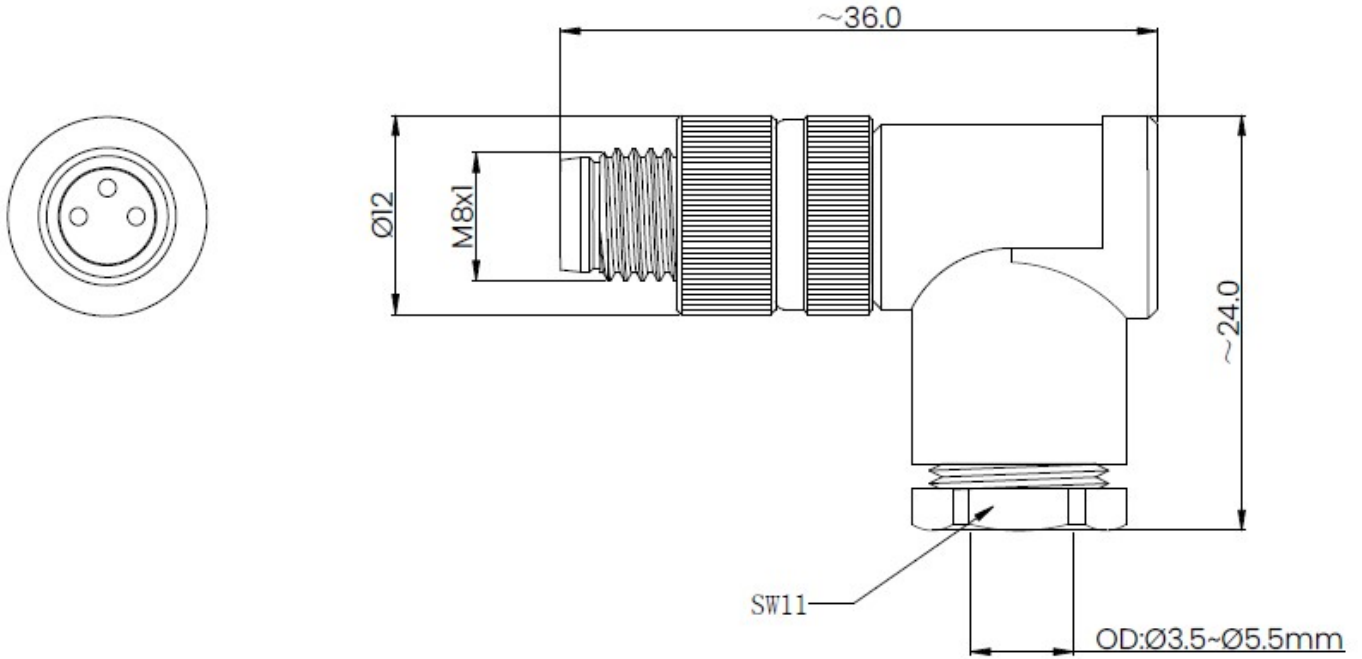
| Electrical Specifications  |      |
|----------------------------|------|
| Contacts                   | 3    |
| Rated Current (A)          | 30   |
| Rated Voltage (AC,V)       | 60   |
| Rated Pulse Voltage (AC,V) | 800  |
| Insulation Resistance (MΩ) | ≥100 |
| Contact Resistance (mΩ)    | ≤3   |

| Mechanical Specifications |                 |
|---------------------------|-----------------|
| Mating Cycles             | 500 Min         |
| Coupling Mechanism        | Threaded        |
| Interface Specification   | IEC 61076-2-101 |

| Environmental Specifications |                |
|------------------------------|----------------|
| Temperature Range            | -20°C to +85°C |

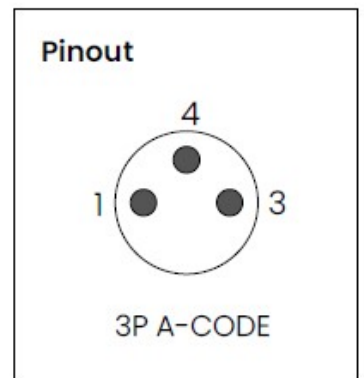
| Material Specifications |                            |
|-------------------------|----------------------------|
| Screw                   | Brass, Nickel Plating      |
| Shell                   | PA66 UL94-V0, Black        |
| Insulator               | PA66 UL94-V0, Black        |
| Contacts                | Copper Alloy, Gold Plating |
| Sealing Ring            | NBR, Black                 |
| Nut                     | PA66 UL94-V0, Black        |

## Drawing



UNLESS OTHERWISE SPECIFIED  
TOLERANCES FOR MILLIMETERS  
ARE:

- 0.5 - 8mm  $\pm 0.20\text{mm}$
- 8 - 30mm  $\pm 0.25\text{mm}$
- 30 -120mm  $\pm 0.30\text{mm}$



## Disclaimer

The information in this specification is subject to change without notice. Please confirm the latest version before use. Technical parameters are for reference only, and sufficient testing and verification should be conducted in actual applications.