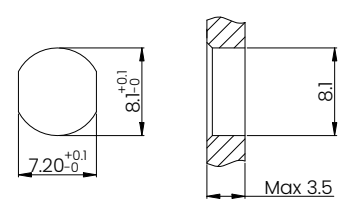
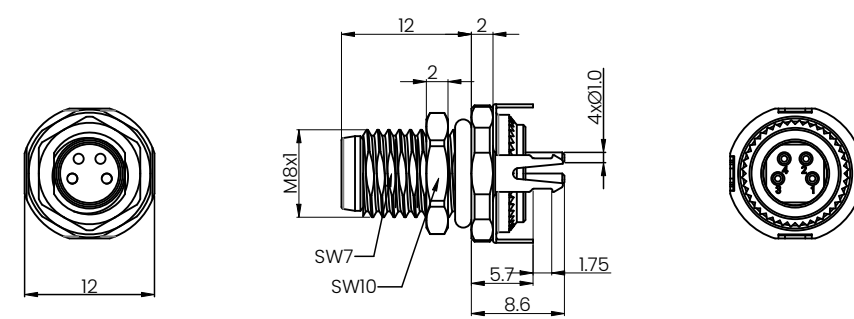
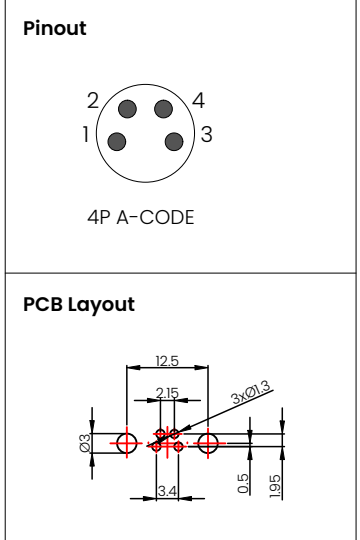




REV	DESCRIPTION	DATE	APPROVEN
R1.0	First issue	2024/03/12	JIM.KING



Recommended Panel cut-out

Technical Specifications	
Coupling	Threaded Coupling
Termination	Screw
Pollution Degree	3
Mating Cycles	≥500
IP Rating	IP67 When Mated
Temperature Range	-25°C ~ +80°C

Core count	4
Rated Voltage/Current	3A/60V
Rated Pulse Voltage	800V
Insulation Resistance (MΩ)	≥100
Contact Resistance (mΩ)	≤3

NO	DESCRIPTION	MATERIAL	FINISH	QTY
5	Nut	Brass	Nickel Plating	1
4	Sealing Ring	NBR	Black	1
3	Center Pin	Copper Alloy	Gold Plating	/
2	Insulator	PA66 UL94-V0	Black	1
1	Shell	PA66 UL94-V0	Black	1
NO	DESCRIPTION	MATERIAL	FINISH	QTY

-TOLERANCES-
UNLESS OTHERWISE SPECIFIED

UNLESS OTHERWISE SPECIFIED TOLERANCES FOR MILLIMETERS ARE:
0.5 - 8mm ± 0.20mm
8 - 30mm ± 0.25mm
30 - 120mm ± 0.30mm

METABEE **Metabee (Chengdu) Technology Co., Ltd.**
Tel: +8615926241606 E-mail: Sales@metabeeai.com

PART DESCRIPTION: **M8 male Connector Panel Mount, PCB Type**

P/N: **M8-03-A-P-1-S-F**

Appd:	Jim.king	Date	Scale	Unit	Page
Check:		2024.03.12	Free	MM	1/1
Draw:	Gavin				