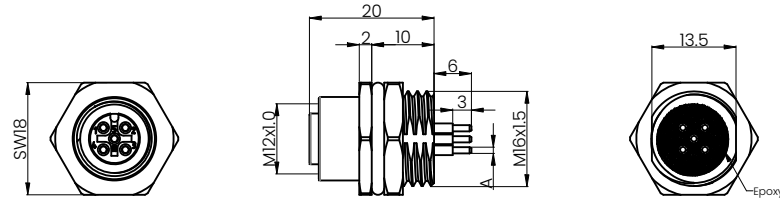
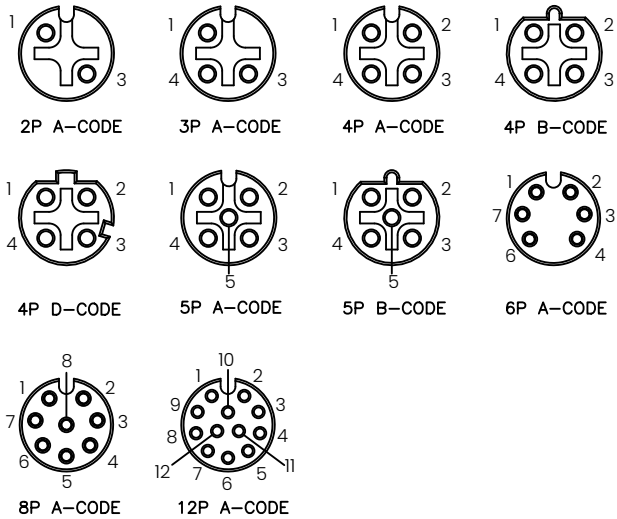


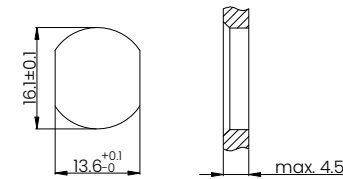


REV	DESCRIPTION	DATE	APPROVEN
R1.0	First issue	2023/03/10	JIM.KING

**Pinout**

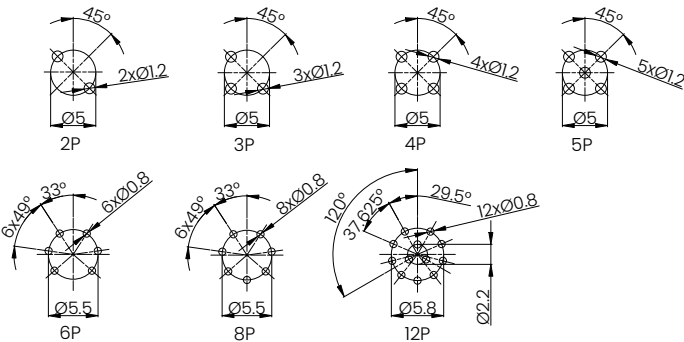


A:  
2-5P : Ø1  
6-12P: Ø0.6



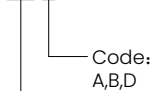
Recommended Panel cut-out

**PCB Layout**



**Part Number:**

M12-XX-X-S-I-S-B



Core count:  
02, 03, 04, 05, 06, 08, 12

Technical Specifications	
Coupling	Threaded Coupling
Termination	Screw
Pollution Degree	3
Mating Cycles	≥500
IP Rating	IP67 When Mated
Temperature Range	-40°C ~ +80°C

Core count	2	3	4/4 B	4D	5	5B	6	8	12
Rated Voltage/Current	4A/250V	4A/250V	4A/250V	4A/250V	4A/60V	4A/60V	2A/30V	2A/30V	1.5A/30V
Rated Pulse Voltage	2500V	2500V	2500V	2500V	1500V	1500V	800V	800V	800V
Insulation Resistance (MΩ)	≥100	≥100	≥100	≥100	≥100	≥100	≥100	≥100	≥100
Contact Resistance (MΩ)	≤5	≤5	≤5	≤5	≤5	≤5	≤5	≤5	≤5

5	Nut	Zinc Alloy	Nickel Plating	1
4	Sealing Ring	NBR	Green	1
3	Center Pin	Copper Alloy	Gold Plating	/
2	Insulator	PA66 UL94-V0	Black	1
1	Shell	Zinc Alloy	Nickel Plating	1
NO	DESCRIPTION	MATERIAL	FINISH	QTY

**-TOLERANCES- UNLESS OTHERWISE SPECIFIED**

**Metabee (Chengdu) Technology Co., Ltd.**  
Tel: +8615926241606 E-mail: Sales@metabeeai.com

**PART DESCRIPTION: M12 Female Connector, Panel Mount, PCB Type, Rear fastened**

**UNLESS OTHERWISE SPECIFIED TOLERANCES FOR MILLIMETERS ARE:**  
0.5 - 8mm ± 0.20mm  
8 - 30mm ± 0.25mm  
30 - 120mm ± 0.30mm

Appd:	Jim.king	P/N:			
Check:		Date	Scale	Unit	Page
Draw:	Gavin	2023.03.10	Free	MM	1/1