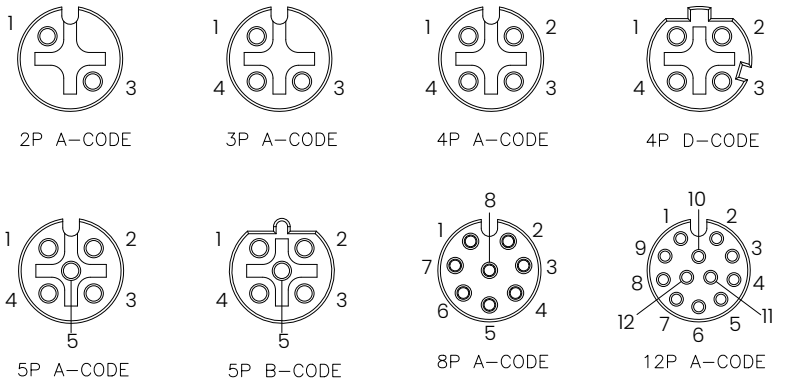


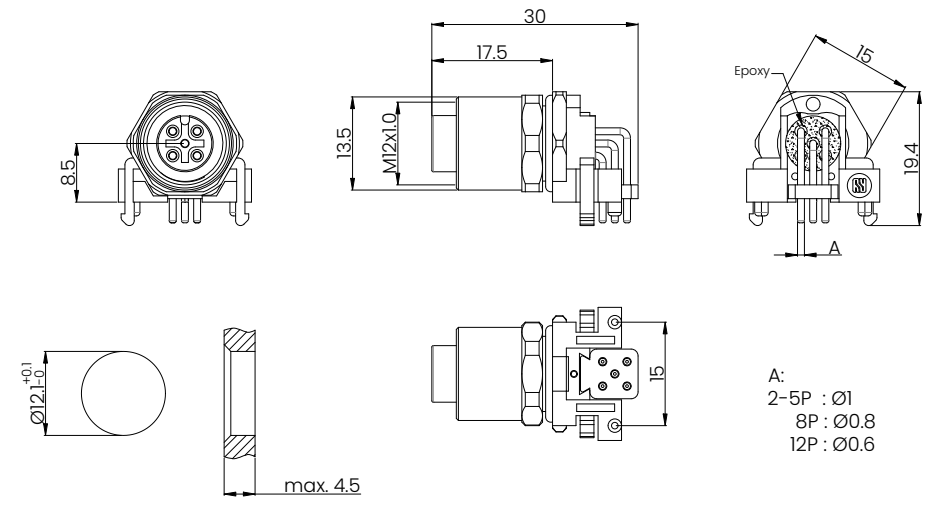
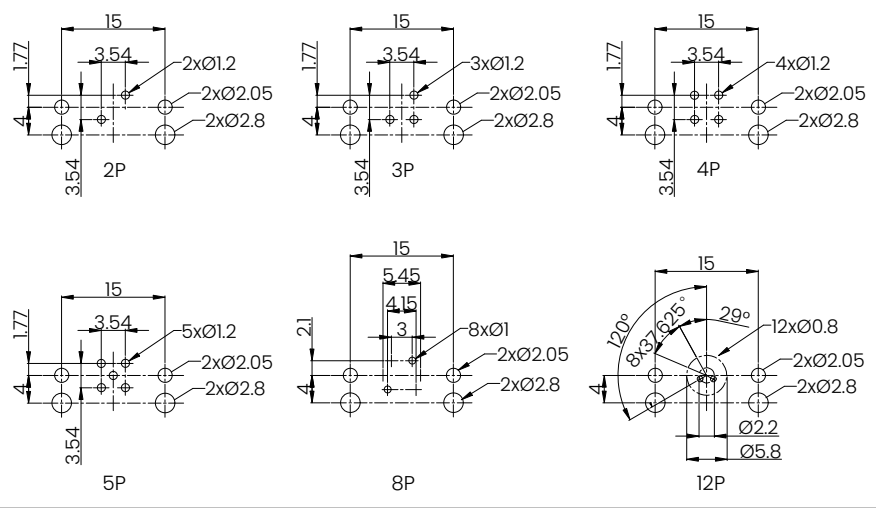


REV	DESCRIPTION	DATE	APPROVEN
R1.0	First issue	2023/03/10	JIM.KING

Pinout



PCB Layout



Recommended Panel cut-out

A:
2-5P : Ø1
8P : Ø0.8
12P : Ø0.6

Part Number:

M12-XX-X-S-I-R-B
Code: A,B,D
Core count: 02, 03, 04, 05, 08, 12

Technical Specifications	
Coupling	Threaded Coupling
Termination	Screw
Pollution Degree	3
Mating Cycles	≥500
IP Rating	IP67 When Mated
Temperature Range	-40°C ~ +80°C

Core count	2	3	4/4 B	4D	5	5B	6	8	12
Rated Voltage/Current	4A/250V	4A/250V	4A/250V	4A/250V	4A/60V	4A/60V	2A/30V	2A/30V	1.5A/30V
Rated Pulse Voltage	2500V	2500V	2500V	2500V	1500V	1500V	800V	800V	800V
Insulation Resistance (MΩ)	≥100	≥100	≥100	≥100	≥100	≥100	≥100	≥100	≥100
Contact Resistance (MΩ)	≤5	≤5	≤5	≤5	≤5	≤5	≤5	≤5	≤5

5	Nut	Brass	Nickel Plating	1
4	Sealing Ring	NBR	Black	1
3	Center Pin	Brass	Gold Plating	/
2	Insulator	PA66 UL94-V0	Black/Green	1
1	Shell	Brass	Nickel Plating	1
NO	DESCRIPTION	MATERIAL	FINISH	QTY

-TOLERANCES-
UNLESS OTHERWISE SPECIFIED

UNLESS OTHERWISE SPECIFIED TOLERANCES FOR MILLIMETERS ARE:
0.5 - 8mm ± 0.20mm
8 - 30mm ± 0.25mm
30 - 120mm ± 0.30mm

Metabee (Chengdu) Technology Co., Ltd.
Tel: +8615926241606 E-mail: Sales@metabeeai.com

PART DESCRIPTION:
R/A M12 Female, Panel Mount, PCB Type

P/N: **M12-XX-X-S-I-R-B**

Appd:	Jim.king	Date	Scale	Unit	Page
Check:		2023.03.10	Free	MM	1/1
Draw:	Gavin				