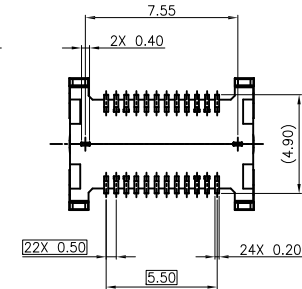
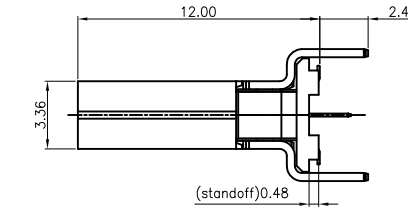
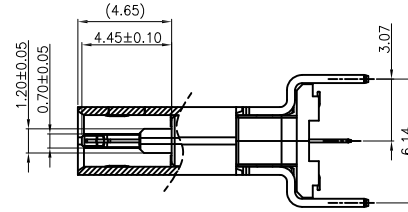
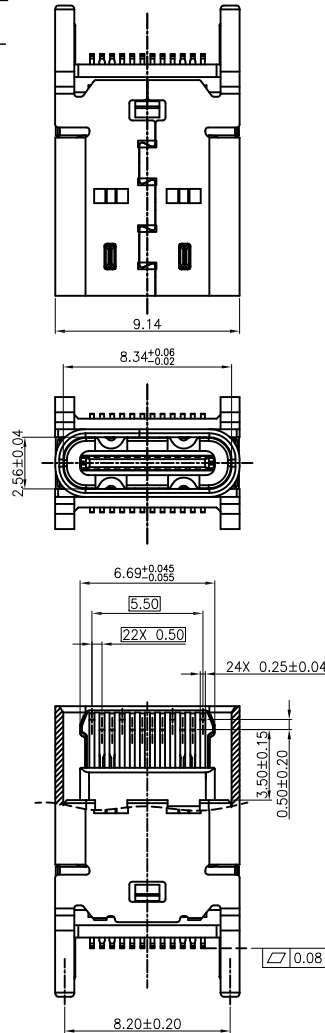
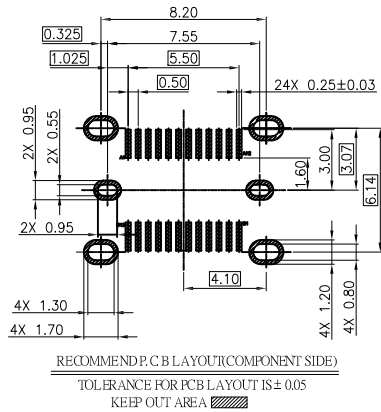
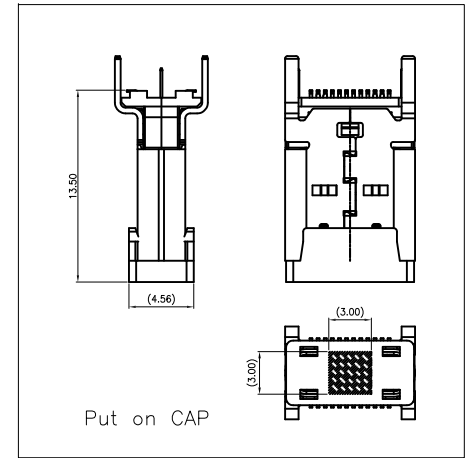


APPROVED: _____
 DATE: _____ TITLE: _____

Rev	AWO #	Description	Date	Appr
-		RELEASED	7/13/20	
A		UPDATE DRAWING	1/10/23	LH/MC



A12	GND	B1	GND
A11	SSRXp2	B2	SSTXp2
A10	SSRXn2	B3	SSTXn2
A9	VBUS	B4	VBUS
A8	SBU1	B5	CC2
A7	Dn1	B6	Dp2
A6	Dp1	B7	Dn2
A5	CC1	B8	SBU2
A4	VBUS	B9	VBUS
A3	SSTXn1	B10	SSRXn1
A2	SSTXp1	B11	SSRXp1
A1	GND	B12	GND
Pin NO.	Signal name	Pin NO.	Signal name



SPECIFICATIONS:

Material:
 Insulator: Hi-Temp Thermoplastic, rated UL 94V-0, Color: Black
 Contacts: Copper Alloy
 Shell: Stainless Steel, Nickel plated
 Mid Plate: Stainless Steel, Nickel plated
 Plating:
 Gold flash over Nickel underplate on contact area
 Matte Tin over Nickel underplate on solder tails
 Electrical:

Current rating: 5A for collectively power supply pin (Pin A1, A4, A9, A12, B1, B4, B9, B12)
 1.25A for Vconn pin
 0.25A for other

Contact resistance: 40 mohms max for Initial
 10 mohms change after durability test

Insulation resistance: 100 Mohms min
 Dielectric withstanding voltage: 100 VAC R.M.S

Mechanical:
 Mating force: 5~20 N
 Unmated force: 8~20 N (Initial)
 6~20 N (After test)

Durability: 10,000 Cycles
 Temperature Rating:
 Operating temperature: -40°C to +85°C
 Environmental:
 Lead free, RoHS compliant.



PACKAGED ON TAPE & REEL

UNLESS OTHERWISE SPECIFIED
 ALL DIMENSIONS ARE MILLIMETERS
 TOLERANCES: EXCEPT AS NOTED
 MM ANGLE
 .X ± 0.25 ±2°
 .XX ± 0.20
 .XXX + 0.05

DRAWN	OW	7/13/20
CHECKED	KL	7/13/20
APPROVED		

THIS DRAWING CONTAINS INFORMATION THAT IS PROPRIETARY AND SHOULD NOT BE USED WITHOUT PRIOR WRITTEN PERMISSION FROM ADAM TECH



TITLE: UNIVERSAL SERIAL BUS, TYPE C 3.1, FEMALE, VERTICAL, BLACK INSULATOR

SIZE	PART NO.	REV.
X	USB-C31-S-VT-CS4A-BK-PP-T/R	B

REF: S00005C SCALE: NTS SHEET 1 OF 1