

6

5

4

3

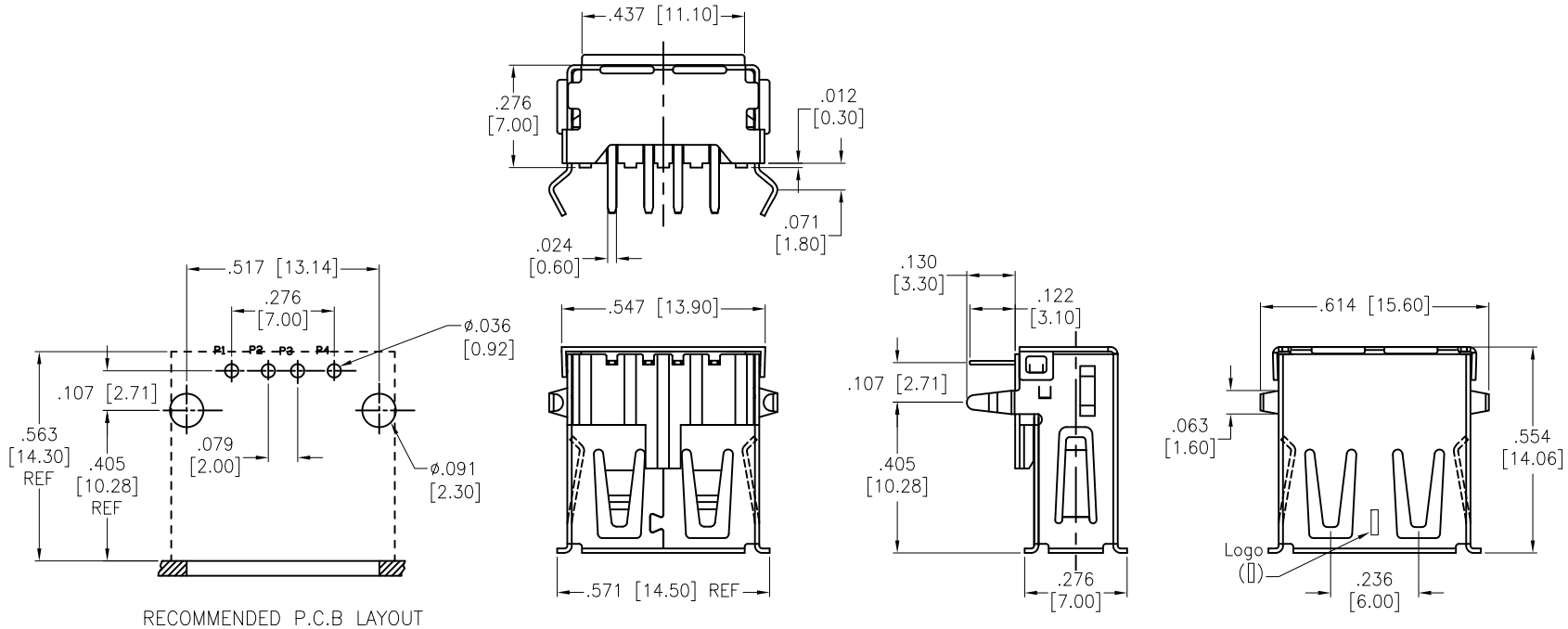
2

1

APPROVED: _____

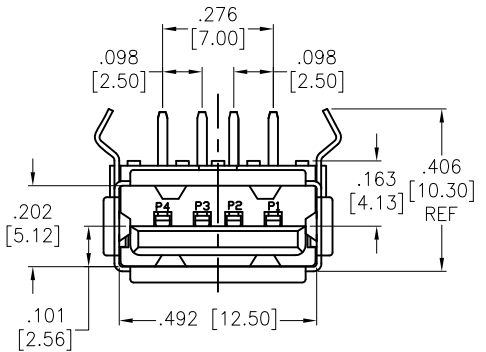
DATE: _____ TITLE: _____

Rev	AWO #	Description	Date	Apr
-		RELEASED	6/13/19	



RECOMMENDED P.C.B LAYOUT

SPECIFICATIONS:
 Material:
 Insulator: PBT, Glass-Filled, rated UL 94V-0
 Insulator color: Black
 Contacts: Phosphor Bronze
 Shell: Brass, Nickel plated
 Plating:
 30u" Gold over Nickel underplate on contact area,
 Tin over Nickel underplate on solder tails
 Electrical:
 Voltage rating: 30 VAC rms
 Current rating: 1.5 Amp
 Contact resistance: 30 mohms max.
 Insulation resistance: 1000 Mohms min.
 Dielectric withstanding voltage: 500 VAC
 Temperature Rating:
 Operating temperature: -20°C to +105°C
 Environmental:
 Lead free, RoHS compliant.



UNLESS OTHERWISE SPECIFIED ALL DIMENSIONS ARE INCHES [MM]. TOLERANCES: EXCEPT AS NOTED

.X	± .10	Ø.X	± .10
INCHES .XX	± .020	HOLES Ø.XX	± .015
.XXX	± .015	Ø.XXX	± .010

DRAWN	AY	6/13/19
CHECKED	KC	6/13/19
APPROVED		

CONFIDENTIAL AND PROPRIETARY
 © Adam Tech. All rights reserved. This document contains confidential and proprietary information belonging to Adam Tech. It is provided solely for design and reference purposes by authorized parties. Any reproduction, distribution, display, or disclosure to third parties, in whole or in part, without the prior written consent of Adam Tech, is strictly prohibited. Adam Tech retains all rights, including copyright, trademark, trade secret, and all other intellectual property rights worldwide.



TITLE UNIVERSAL SERIAL BUS, SINGLE PORT, RIGHT ANGLE, PCB, HALOGEN FREE		
SIZE X	PART NO. USB-A-S-RA-HF-30	REV. -
REF: S00087T	SCALE: NTS	SHEET 1 OF 1

6

5

4

3

2

1