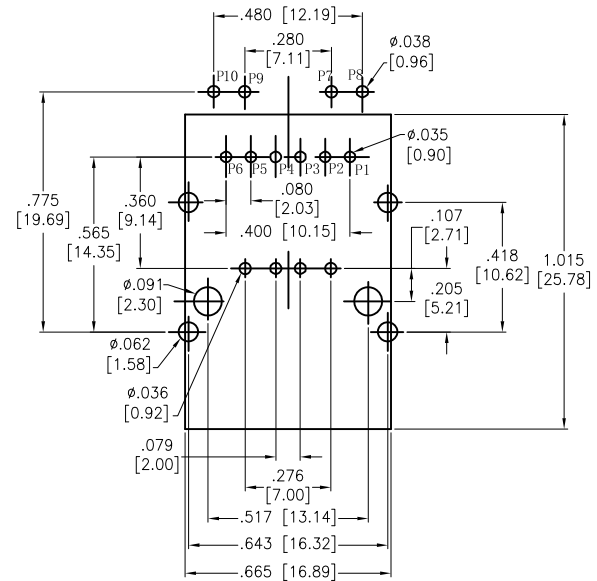
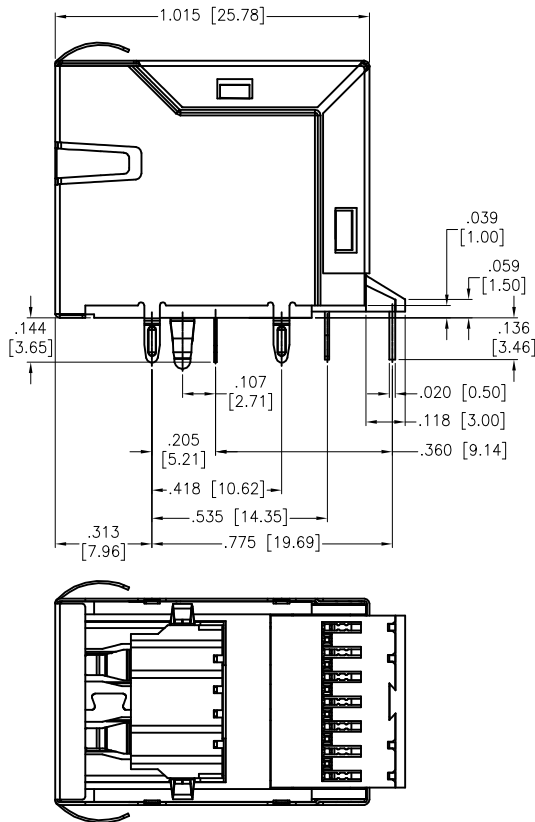
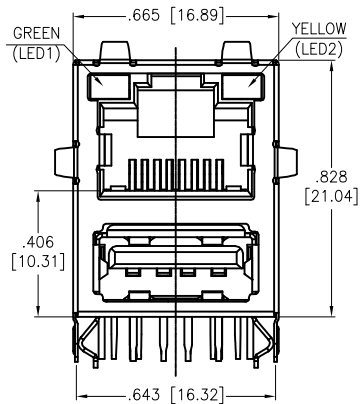


APPROVED: _____
 DATE: _____ TITLE: _____

Rev	AWO #	Description	Date	Appr
-		RELEASED	11/12/18	



RECOMMENDED PCB LAYOUT

SPECIFICATIONS:

Material:
 Housing: PA66, rated UL 94V-0, Color: Black
 Insert: PBT, rated UL 94V-0, Color: Black
 Contacts: Copper Alloy
 Shield: Brass, Nickel plated
 Plating:
 Round contact
 Gold over Nickel underplate overall
 Flat contact
 Gold over Nickel underplate on contact area,
 Tin over Nickel underplate on solder tails
 Electrical:
 RJ45:
 Insulation Resistance: 500M ohm Min
 Dielectric Withstanding Voltage: 1500VAC or 2250VDC
 USB:
 Contact Current Rating: 1.5A Max
 Contact Resistance: 30m ohm Max
 Insulation Resistance: 1000M ohm Min
 Temperature Rating:
 Operating temperature: 0°C to +70°C
 Environmental:
 Lead free, RoHS compliant.



UNLESS OTHERWISE SPECIFIED
 ALL DIMENSIONS ARE INCHES [MM]
 TOLERANCES: EXCEPT AS NOTED
 INCHES HOLES
 .X ± .10 Ø.X ± .10
 .XX ± .020 Ø.XX ± .015
 .XXX ± .015 Ø.XXX ± .010



TITLE
**MODULAR JACK GANGED, 1 PORT, 8P8C
 RJ45+ USB 2.0 W/LED GREEN & YELLOW**

APPROVALS		DATE
DRAWN	AY	11/12/18
CHECKED	NL	11/12/18
APPROVED		

SIZE	PART NO.	REV.
X	MTJ-USB-88JX1-FS-PG-LH-M41C	-
REF: S00005C	SCALE: NTS	SHEET 1 OF 2

6

5

4

3

2

1

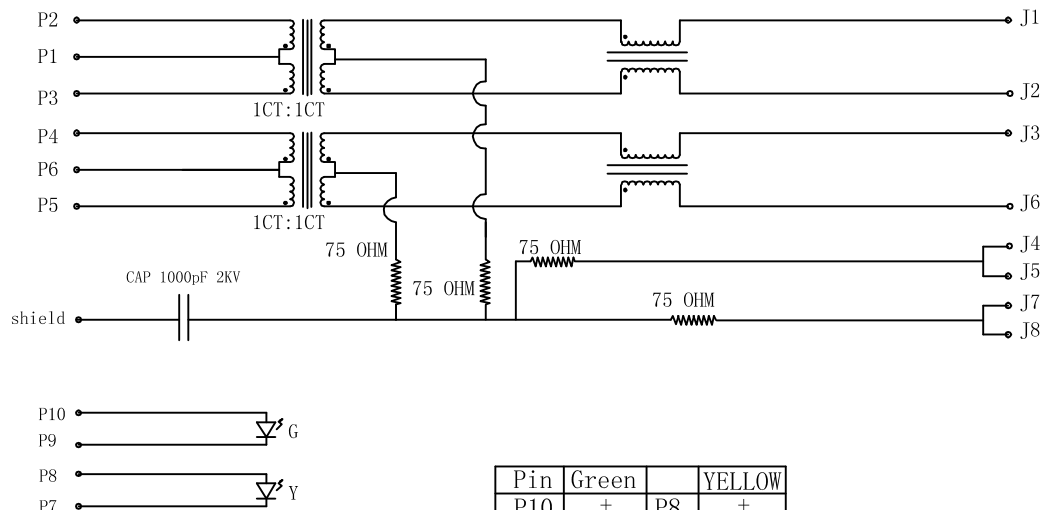
APPROVED: _____

DATE: _____ TITLE: _____

Rev	AWO #	Description	Date	Appr
-----	-------	-------------	------	------

SEE SHT 1 OF 2 FOR REVISION

Circuit Schematic:



Pin	Green		YELLOW
P10	+	P8	+
P9	-	P7	-

Electronical Specifications:

- Turn Ratio @100KHz: (P2~P3):(J1~J2) = 1:1±5%
(P4~P5):(J3~J6) = 1:1±5%
- Primary Inductance: 350uH MIN @100KHZ,0.1V 8mA DC BIAS
- DC Resistance:(J1~J2):(J3~J6) 1.2 OHMS MAX
- Insertion Loss: 1-100MHz -1.2dB MAX
- Return Loss: 1-30MHz -16dB MIN
30-60MHz -12dB MIN
60-80MHz -10dB MIN
- CROSS TALK: 1-100MHz -30dB MIN
- COMMON TO COMMON MODE ATTENUATION: 1-100MHz -30dB MIN
- Isolation: PHY Side to Line Side: 1500VAC or 2250VDC

UNLESS OTHERWISE SPECIFIED
ALL DIMENSIONS ARE INCHES [MM]
TOLERANCES: EXCEPT AS NOTED
INCHES HOLES

.X	± .10	Ø.X	± .10
.XX	± .020	Ø.XX	± .015
.XXX	± .015	Ø.XXX	± .010



TITLE
MODULAR JACK GANGED, 1 PORT, 8P8C
RJ45+ USB 2.0 W/LED GREEN & YELLOW

APPROVALS		DATE
DRAWN	AY	11/12/18
CHECKED	NL	11/12/18
APPROVED		

SIZE	PART NO.	REV.
X	MTJ-USB-88JX1-FS-PG-LH-M41C	-
REF: S00005C	SCALE: NTS	SHEET 2 OF 2

6

5

4

3

2

1