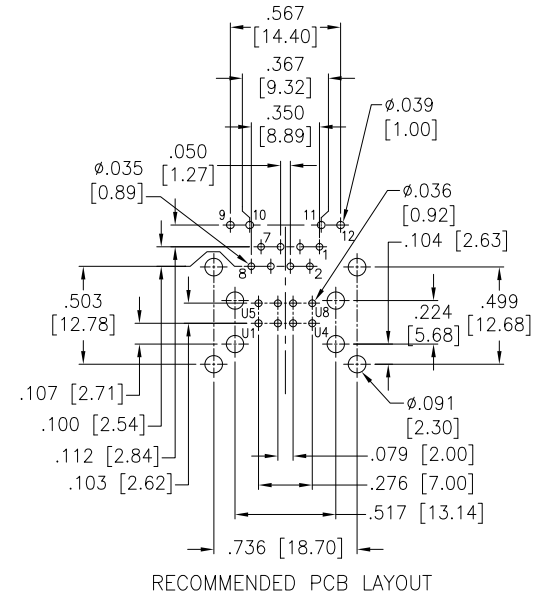
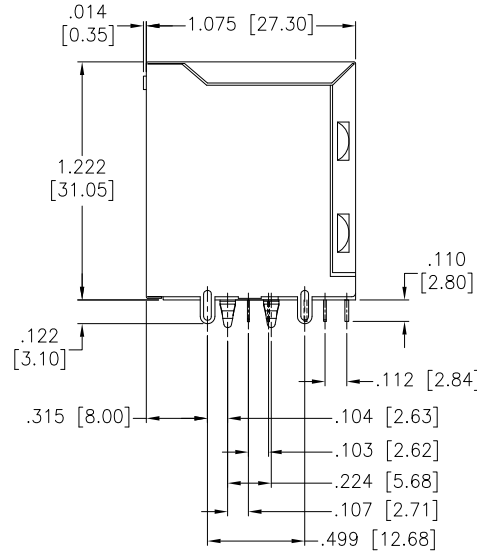
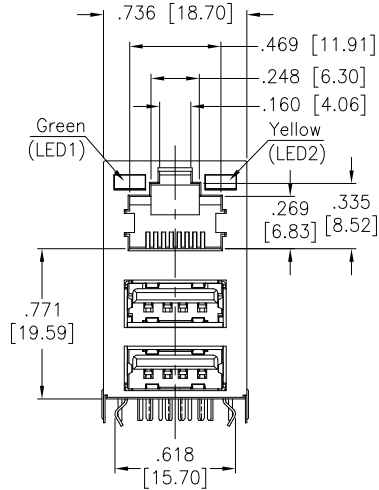
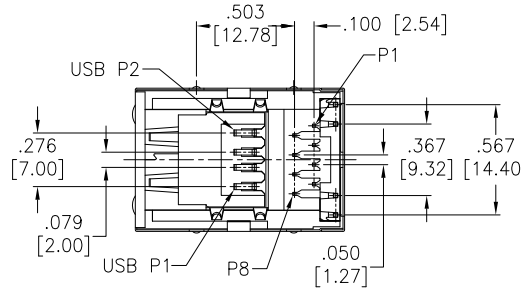


APPROVED: \_\_\_\_\_  
 DATE: \_\_\_\_\_ TITLE: \_\_\_\_\_

Rev	AWO #	Description	Date	Appr
-		RELEASED	5/12/16	
A		UPDATE SPEC.	3/18/19	AY/RT



LED CHARACTERISTIC	
NO.	NODE
LED1	9+ -> -10
LED2	11+ -> -12



**SPECIFICATIONS:**

- Material:**  
 RJ Housing: PBT, Glass reinforced, rated UL 94V-0, Color: Black  
 RJ Insert Housing: PBT, Glass reinforced, rated UL 94V-0, Color: Black  
 RJ Cover: PBT, Glass reinforced, rated UL 94V-0, Color: Black  
 RJ Contacts: Phosphor Bronze  
 RJ Shell: Brass, Nickel plated  
 USB Housing: PBT, Glass reinforced, rated UL 94V-0, Color: Black  
 USB Contacts: Brass  
 USB Front Shell: SUS, Nickel plated  
 USB Rear Cover: SPCC, Nickel plated  
 USB Shell: Brass, Nickel plated  
 LED Solder Tail: Steel, Tin plated

- Plating:**  
 Gold over Nickel underplate on contact area  
 Gold flash over Nickel underplate on solder tails
- Electrical:**  
 Operating voltage: 150 VAC max  
 Current rating: 1.5 A max  
 Contact resistance: 20 mohms max  
 Insulation resistance: 500 Mohms min  
 Dielectric withstanding voltage: 1,500 VRMS for 1 minute  
 Temperature Rating:  
 Operating temperature: -40°C to +85°C

**Environmental:**  
 Lead free, RoHS compliant.



UNLESS OTHERWISE SPECIFIED ALL DIMENSIONS ARE INCHES [MM]. TOLERANCES: EXCEPT AS NOTED		
INCHES	HOLES	
.X ± .10	ØX	±.10
.XX ± .020	ØXX	±.015
.XXX ± .015	ØXXX	±.010
DRAWN	AY	5/12/16
CHECKED	SC	5/12/16
APPROVED		
THIS DRAWING CONTAINS INFORMATION THAT IS PROPRIETARY AND SHOULD NOT BE USED WITHOUT PRIOR WRITTEN PERMISSION FROM ADAM TECH		



TITLE		REV.
MODULAR JACK 8P8C & DUAL USB A TYPE W/ LED1 GREEN , LED2 YELLOW		A
SIZE	PART NO.	
X	MTJ-DUSB-88JX1-FS-LH	
REF:	S00065T	SCALE: NTS SHEET 1 OF 1