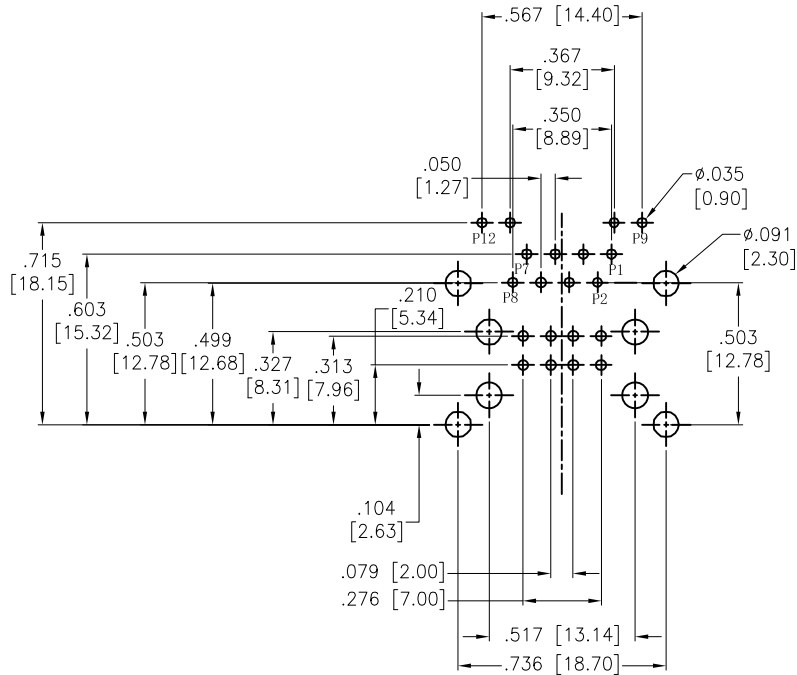
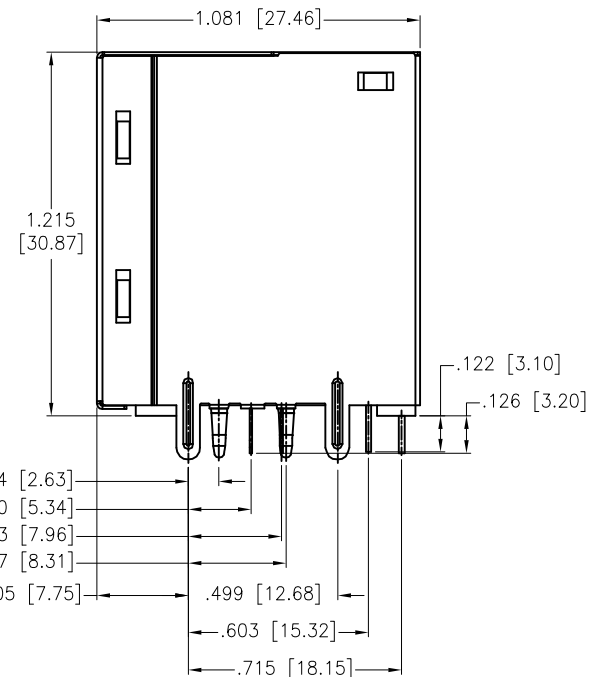
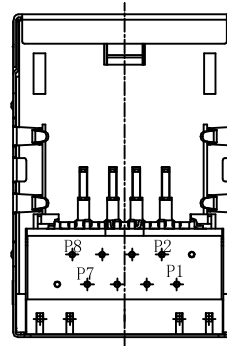
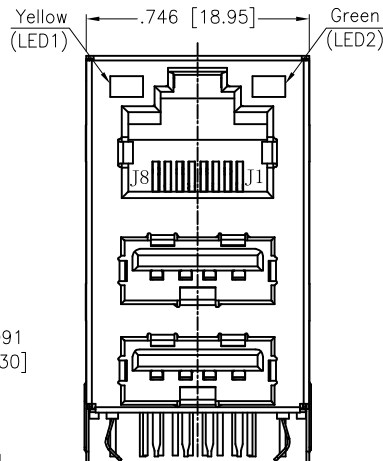


APPROVED: _____
 DATE: _____ TITLE: _____

Rev	AWO #	Description	Date	Appr
-		RELEASED	9/30/13	
A		UPDATE DRAWING	7/13/16	AY/TW
B		UPDATE MATERIAL	9/21/18	AY/RC1
C		UPDATE DRAWING	10/22/18	AY/RC1



RECOMMENDED PCB LAYOUT



SPECIFICATIONS:

Material:
 Insulator: Thermoplastic, rated UL 94V-0
 Insulator color: Black
 Contacts: Copper Alloy
 Shield: Brass, Nickel plated
 Plating:
 Round contact
 Gold over Nickel underplate overall
 Flat contact
 Gold over Nickel underplate on contact area,
 Tin over Nickel underplate on solder tails
 Electrical:

Voltage rating: 150 VAC
 Contact Resistance: 20 mohms max.
 Insulation resistance: 500 Mohms min
 Dielectric withstanding voltage: 1500 VAC or 2250 VDC
 Temperature Rating:
 Operating temperature: 0°C to +70°C
 Environmental:
 Lead free, RoHS compliant.



UNLESS OTHERWISE SPECIFIED
 ALL DIMENSIONS ARE INCHES [MM]
 TOLERANCES: EXCEPT AS NOTED
 INCHES HOLES

.X	± .10	Ø.X	± .10
.XX	± .020	Ø.XX	± .015
.XXX	± .015	Ø.XXX	± .010



TITLE
 MODULAR JACK GANGED, 1 PORT, 8P8C
 W/ LED1 YELLOW, LED2 GREEN, DUAL USB

APPROVALS		DATE
DRAWN	AY	9/30/13
CHECKED	YC	9/30/13
APPROVED		

SIZE	PART NO.	REV.
X	MTJ-DUSB-88JX1-FS-LG-M4C	C
REF:	S00005C	SCALE: NTS
		SHEET 1 OF 2

6

5

4

3

2

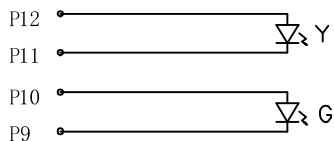
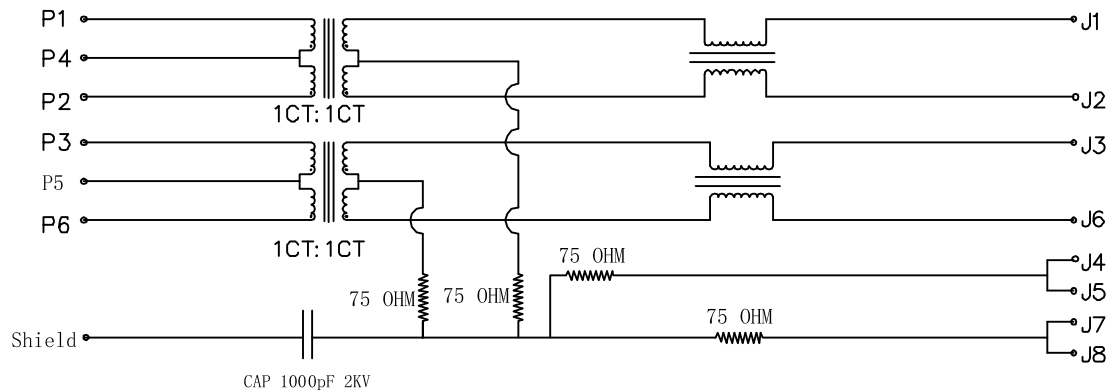
1

APPROVED: _____

DATE: _____ TITLE: _____

Rev	AWO #	Description	Date	Appr
-----	-------	-------------	------	------

SEE SHT 1 OF 2 FOR REVISION



Pin	Yellow		Green
P12	+	P10	+
P11	-	P9	-

SPECIFICATIONS:

- Turn Ratio @100KHz: (P1~P2):(J1~J2) = 1:1±5%
(P3~P6):(J3~J6) = 1:1±5%
- Primary Inductance: 350uH Min. @100KHz, 0.1V 8mA DC Bias
- DC Resistance: (J1~J2):(J3~J6) 1.2 Ohms Max.
- Insertion Loss: 1-100MHz: -1.2dB Max.
- Return Loss: 1-30MHz: -16dB Min.
30-60MHz: -12dB Min.
60-80MHz: -10dB Min.
- Cross Talk: 1-100MHz: -30dB Min.
- COMMON TO COMMON MODE ATTENUATION: 1-100MHz: -30dB Min.
- Isolation: PHY Side to Lone Side: 1500VAC OR 2250VDC

UNLESS OTHERWISE SPECIFIED
ALL DIMENSIONS ARE INCHES [MM]
TOLERANCES: EXCEPT AS NOTED
INCHES HOLES

.X ± .10	Ø.X ± .10
.XX ± .020	Ø.XX ± .015
.XXX ± .015	Ø.XXX ± .010



TITLE
MODULAR JACK GANGED, 1 PORT, 8P8C
W/ LED1 YELLOW , LED2 GREEN, DUAL USB

APPROVALS		DATE
DRAWN	AY	9/30/13
CHECKED	YC	9/30/13
APPROVED		

SIZE	PART NO.	REV.
X	MTJ-DUSB-88JX1-FS-LG-M4C	C
REF:	S00005C	SCALE: NTS
		SHEET 2 OF 2

6

5

4

3

2

1