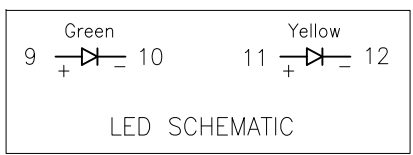
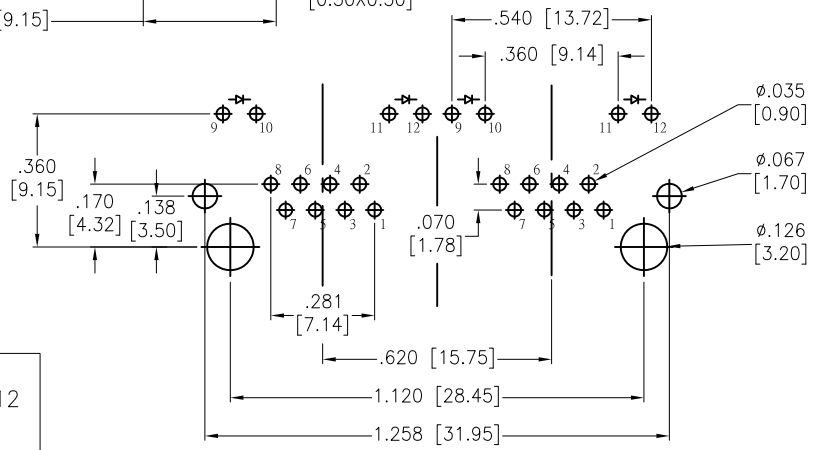
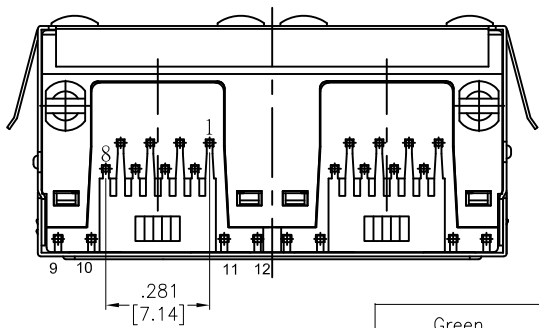
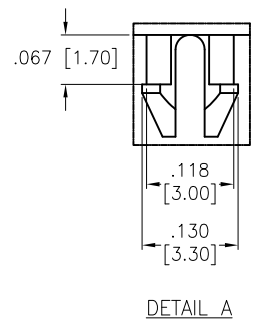
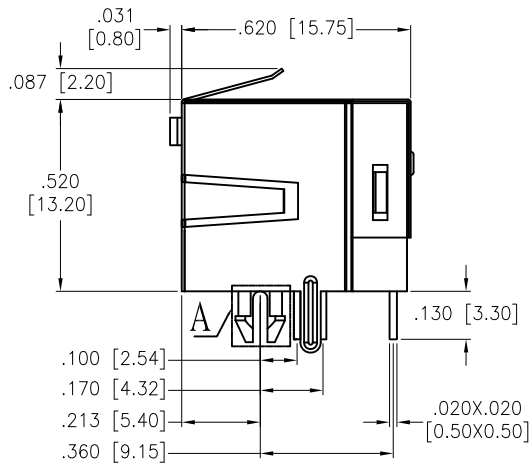
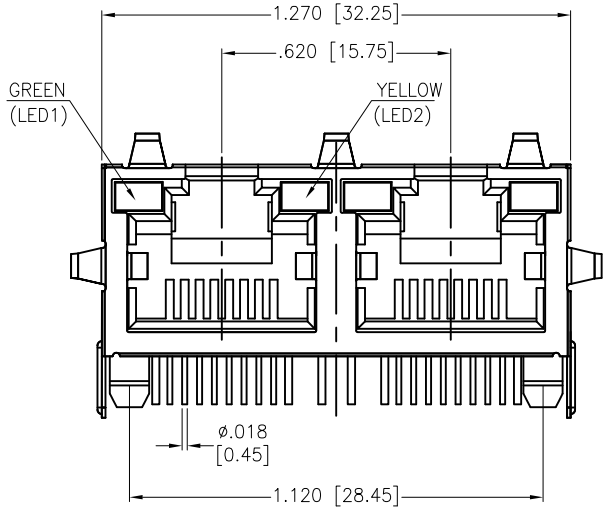


6	5	4	3	2	1
APPROVED: _____			Rev	AWO #	Description
DATE: _____ TITLE: _____			-		RELEASED
					Date
					9/27/18
					Appr



SPECIFICATIONS:

Material:
 Insulator: Hi-temp thermoplastic, rated UL 94V-0
 Insulator color: Pantone P114C, Yellow
 Contacts: Phosphor Bronze
 Shield: Brass, Nickel plated
 Contacts Plating:
 Round contact
 Gold over Nickel underplate overall
 Flat contact
 Gold over Nickel underplate on contact area,
 Tin over Nickel underplate on solder tails
 Electrical:
 Voltage rating: 150 VAC max
 Current rating: 1.5 Amp max
 Contact Resistance: 30 mohms max
 Insulation resistance: 500 Mohms min
 Dielectric withstanding voltage: 1,000 VAC
 Temperature Rating:
 Operating temperature: -40°C to +70°C
 Environmental:
 Lead free, RoHS compliant.



UNLESS OTHERWISE SPECIFIED ALL DIMENSIONS ARE INCHES [MM] TOLERANCES: EXCEPT AS NOTED		
INCHES		HOLES
.X ± .10	Ø.X ± .10	
.XX ± .020	Ø.XX ± .015	
.XXX ± .015	Ø.XXX ± .010	
APPROVALS		DATE
DRAWN	HR	9/27/18
CHECKED	RC2	9/27/18
APPROVED		



TITLE MODULAR TELEPHONE JACK, GANGED 8P8C, W/ LED1 GREEN, LED2 YELLOW		
SIZE X	PART NO. MTJG-2-88ARX1-FSW-PG-LH-P114C-HT-A	REV. -
REF: S00297T	SCALE: NTS	SHEET 1 OF 1