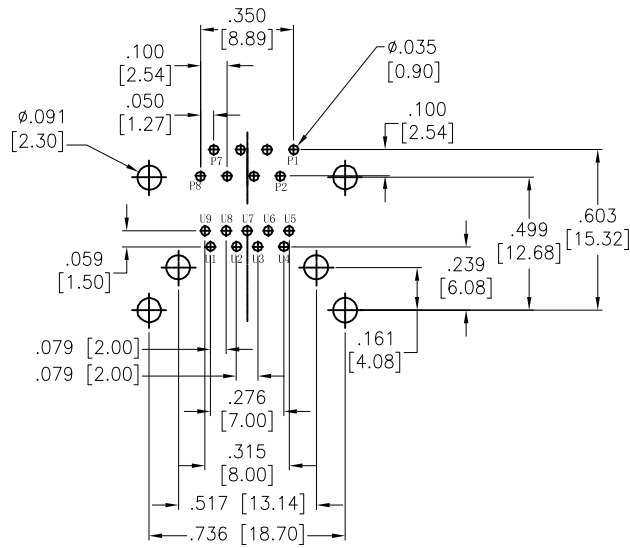
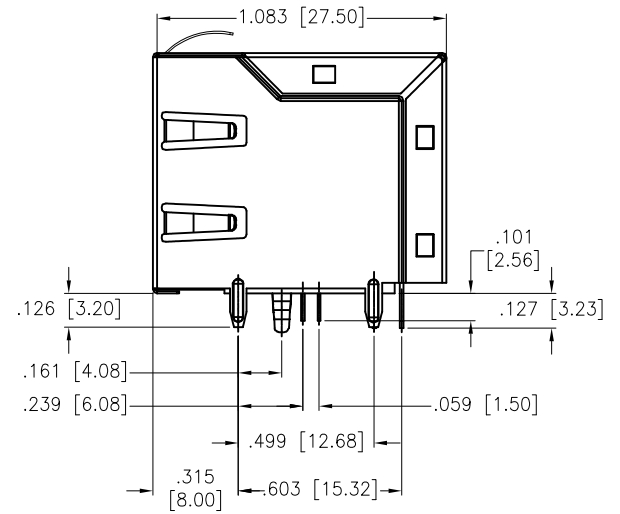
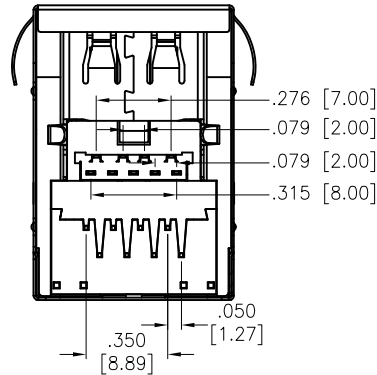
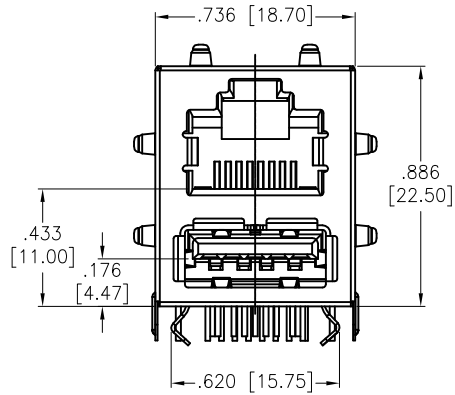


APPROVED: _____
 DATE: _____ TITLE: _____

Rev	AWO #	Description	Date	Appr
-		RELEASED	3/3/16	
A		ADD LAYOUT PIN NUMBER	4/17/19	AY/LW
B		UPDATE DRAWING	7/5/19	LH/LW



RECOMMENDED PCB LAYOUT



SPECIFICATIONS:

Material:
 Insulator: PA66, rated UL 94V-0, Color: Black
 Inserter: PET, rated UL 94V-0, Color: Black
 Contacts: Copper Alloy
 Shield: Brass, Nickel plated
 USB 3.0: PBT, rated UL 94V-0, Color: Blue
 Contact Plating:
 Round contact
 Gold over Nickel underplate overall
 Flat contact
 Gold over Nickel underplate on contact area,
 Tin over Nickel underplate on solder tails
 Electrical:
 Voltage rating: 150 VAC
 Contact Resistance: 20 mohms max
 Insulation resistance: 500 Mohms min
 Dielectric withstanding voltage: 500 VAC
 Temperature Rating:
 Operating temperature: -40°C to +85°C
 Environmental:
 Lead free, RoHS compliant.



UNLESS OTHERWISE SPECIFIED
 ALL DIMENSIONS ARE INCHES [MM]
 TOLERANCES: EXCEPT AS NOTED
 INCHES HOLES
 .X ± .10 Ø.X ± .10
 .XX ± .020 Ø.XX ± .015
 .XXX ± .015 Ø.XXX ± .010



APPROVALS		DATE
DRAWN	AY	3/3/16
CHECKED	MW	3/3/16
APPROVED		

TITLE MODULAR TELEPHONE JACK 8P8C & USB 3.0		
SIZE X	PART NO. MTJ-USB3-88JX1-FS-PG	REV. B
REF: S00005C	SCALE: NTS	SHEET 1 OF 2

6

5

4

3

2

1

APPROVED: _____

DATE: _____ TITLE: _____

Rev	AWO #	Description	Date	Appr
-----	-------	-------------	------	------

SEE SHT 1 OF 2 FOR REVISION



Electronical Specifications:

1. 0 DIELECTRIC WITHSTAND: (P1~P3/P5/P7) : (P2/P4/P6/P8) :500VAC

2. 0 DC RESISTANCE: (P1~J1) : (P2~J2) : (P3~J3) : (P4~J4) : (P5~J5) : (P6~J6) : (P7~J7) : (P8~J8) : 1. 0 OHMS MAX

UNLESS OTHERWISE SPECIFIED
 ALL DIMENSIONS ARE INCHES [MM]
 TOLERANCES: EXCEPT AS NOTED
 INCHES HOLES

.X ± .10	∅.X ± .10
.XX ± .020	∅.XX ± .015
.XXX ± .015	∅.XXX ± .010



TITLE
MODULAR TELEPHONE JACK 8P8C & USB 3.0

APPROVALS		DATE
DRAWN	AY	3/3/16
CHECKED	MW	3/3/16
APPROVED		

SIZE X	PART NO. MTJ-USB3-88JX1-FS-PG	REV. B
REF: S00005C	SCALE: NTS	SHEET 2 OF 2

6

5

4

3

2

1