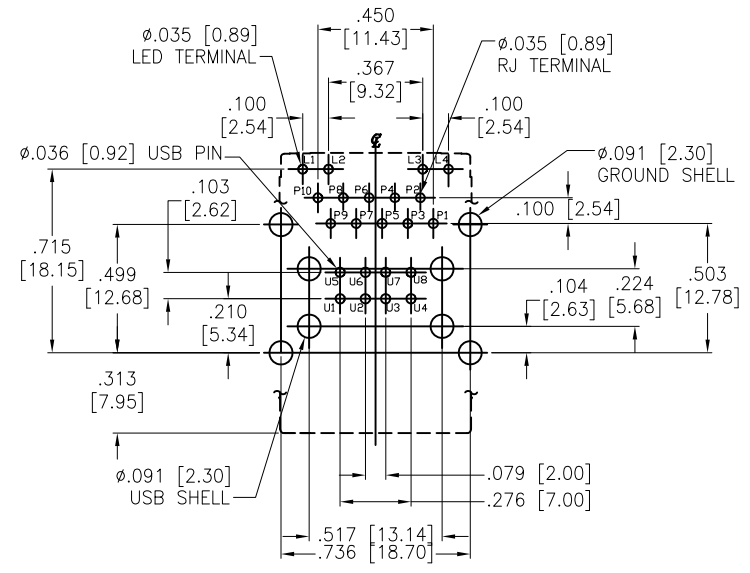
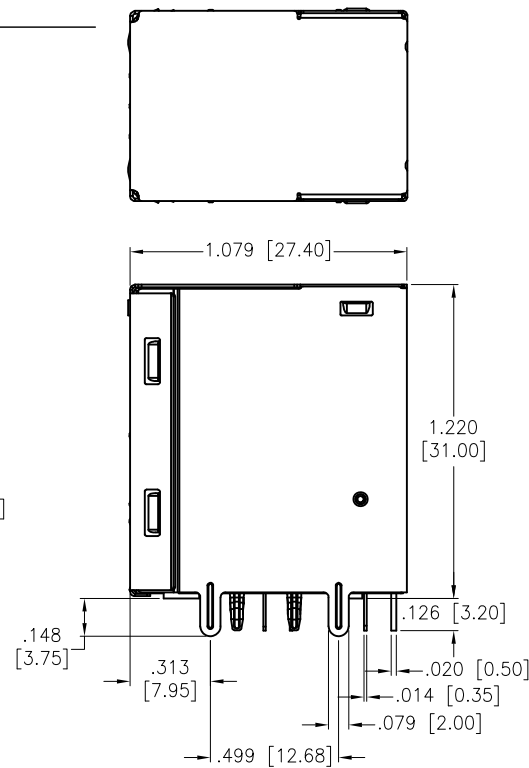
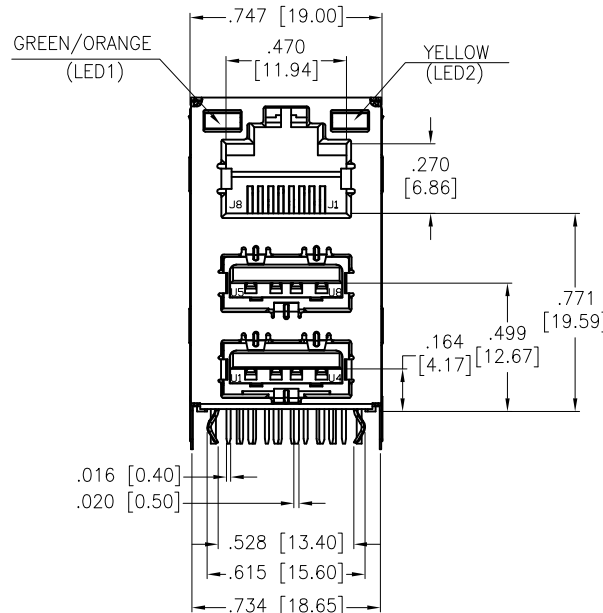


APPROVED: _____
 DATE: _____ TITLE: _____

Rev	AWO #	Description	Date	Appr
-		RELEASED	12/12/17	



RECOMMENDED PCB LAYOUT

SPECIFICATIONS:
 Material:
 Insulator: Thermoplastic, rated UL 94V-0
 Insulator color: Black
 RJ Contacts: Phosphor Bronze
 Solder Tail Terminal: Brass, Tin over Nickel plated
 Shield: Stainless, Thickness 0.2mm, Pre-Soldering
 RJ45 Contact Plating:
 Gold over Nickel underplate on contact area,
 Tin over Nickel underplate on solder tails
 USB Contact Plating:
 Gold over Nickel underplate on contact area,
 Tin over Nickel underplate on tails
 Electrical:
 Insulation resistance: 500 Mohms min
 Dielectric withstanding voltage: 1000 VAC for 1 minute
 Temperature Rating:
 Operating temperature: 0°C to +70°C
 Environmental:
 Lead free, RoHS compliant.



UNLESS OTHERWISE SPECIFIED
 ALL DIMENSIONS ARE INCHES [MM]
 TOLERANCES: EXCEPT AS NOTED

.X	± .10	∅X	± .10
.XX	± .020	∅XX	± .015
.XXX	± .015	∅XXX	± .010

APPROVALS		DATE
DRAWN	AY	12/12/17
CHECKED	TY	12/12/17
APPROVED		

TITLE: MODULAR JACK 8P8C & DUAL USB A 2.0
 W/ LED1 GREEN/ORANGE, LED2 YELLOW

SIZE	PART NO.	REV.
X	MTJ-DUSB-88JX1-FS-L29-M339Y	-

REF: S00101C SCALE: NTS SHEET 1 OF 2

6 5 4 3 2 1

Rev	AWO #	Description	Date	Appr
SEE SHT 1 OF 2 FOR REVISION				

APPROVED: _____
 DATE: _____ TITLE: _____

SCHEMATIC FOR RJ45:

ELECTRICAL CHARACTERISTICS :

- INSERTION LOSS :
 - 1~100 MHz -1.0dB MAX.
- RETURN LOSS(LOAD 100Ω) :
 - 1~30 MHz -18dB MIN
 - 30~60 MHz -16dB MIN
 - 60~80 MHz -12dB MIN
 - 80~100 MHz -10dB MIN
- COMMON MODE REJECTION
 - 1~100 MHz -30dB MIN
- CROSS TALK
 - 1~100 MHz -30dB MIN
- INDUCTANCE @ 100KHz, 0.1V, 8mA DC BIAS
 - (P2-P3),(P4-P5),(P6-P7),(P8-P9) : 350 uH MIN
- DCR
 - (J1-J2),(J3-J6),(J4-J5),(J7-J8) : 1.2 OHM MAX.
- HI-POT TEST
 - PCB SIDE TO CABLE SIDE : 1500VAC 60S OR 2250VDC 60S
- URNS RATION 100KHz
 - (P2-P3) : (J1-J2) = 1:1 ±%5
 - (P4-P5) : (J3-J6) = 1:1 ±%5
 - (P6-P7) : (J4-J5) = 1:1 ±%5
 - (P8-P9) : (J7-J8) = 1:1 ±%5
- ESD PROTECTION :
 - IEC 61000-4-2(ESD) 15KV(Air),8KV(Contact).
- SURGE PROTECTION :
 - IEC 61000-4-5(Lightning) (10/700uS)
 - Line to Line: 2KV Line to Ground: 6KV

UNLESS OTHERWISE SPECIFIED
 ALL DIMENSIONS ARE INCHES [MM]
 TOLERANCES: EXCEPT AS NOTED

INCHES		HOLES	
.X	± .10	Ø.X	±.10
.XX	± .020	Ø.XX	±.015
.XXX	± .015	Ø.XXX	±.010

APPROVALS		DATE
DRAWN	AY	12/12/17
CHECKED	TY	12/12/17
APPROVED		

TITLE
**MODULAR JACK 8P8C & DUAL USB A 2.0
 W/ LED1 GREEN/ORANGE, LED2 YELLOW**

SIZE X	PART NO. MTJ-DUSB-88JX1-FS-L29-M339Y	REV. -
REF: S00101C	SCALE: NTS	SHEET 2 OF 2

6 5 4 3 2 1