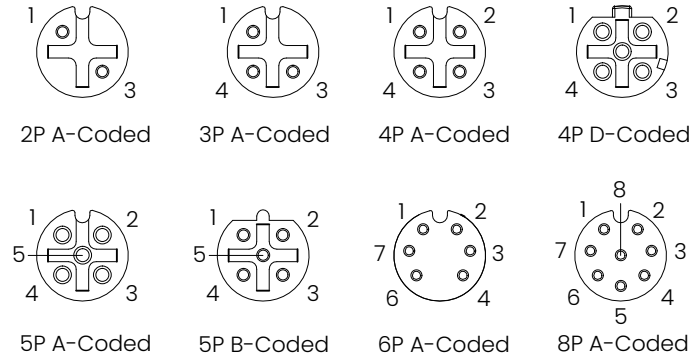




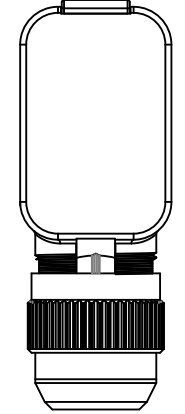
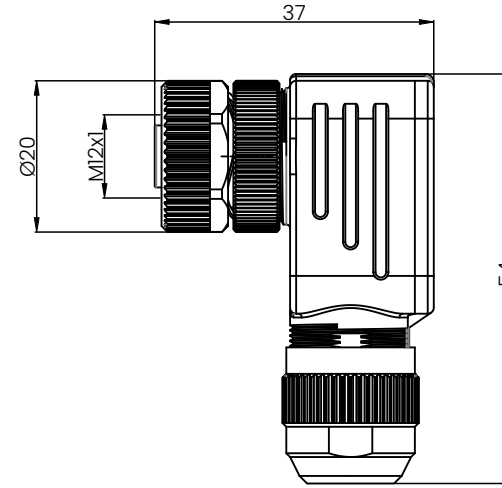
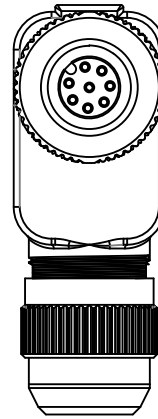
REV	DESCRIPTION	DATE	APPROVEN
R1.0	First issue	2023/03/10	JIM.KING

**Pinout**



**Technical Specifications**

Coupling: Threaded Coupling  
 Termination: Screw  
 Pollution Degree: 3  
 Mating Cycles: ≥500  
 IP Rating: IP67 When Mated  
 Temperature Range: -40°C ~ +80°C  
 Suitable Cable Dia: 6~8mm  
 Wire Gauge: 2~5P: 22AWG; 6~8P: 24AWG



**Part Number:**

M12-XX-X-S-4-R-PG9

Code:  
A, B, D

Number of Contacts:  
02, 03, 04, 05, 06, 08

Contacts	2	3	4	4D	5	5B	6	8
Rated Voltage/Current	4A/250V	4A/250V	4A/250V	4A/250V	4A/60V	4A/60V	2A/30V	2A/30V
Rated Pulse Voltage	2500V	2500V	2500V	2500V	1500V	1500V	800V	800V
Insulation Resistance (MΩ)	≥100	≥100	≥100	≥100	≥100	≥100	≥100	≥100
Contact Resistance (mΩ)	≤5	≤5	≤5	≤5	≤5	≤5	≤5	≤5

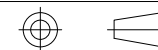
5	Sealing Ring	NBR	Black	/
4	Contacts	Copper Alloy	Gold Plating	/
3	Insulator	PA66 UL94-V0	Black	1
2	Hex Nut	Zinc Alloy	Nickel Plating	1
1	Shell	Zinc Alloy	Nickel Plating	1
NO	DESCRIPTION	MATERIAL	FINISH	QTY

-TOLERANCES-  
UNLESS OTHERWISE  
SPECIFIED

UNLESS OTHERWISE SPECIFIED  
TOLERANCES FOR MILLIMETERS  
ARE:  
0.5 - 8mm ± 0.20mm  
8 - 30mm ± 0.25mm  
30 - 120mm ± 0.30mm



**Metabee (Chengdu) Technology Co., Ltd.**  
Tel: +8615926241606 E-mail: Sales@metabeeai.com



PART DESCRIPTION: **R/A M12 Female Connector, Shielded Field Wireable, PG9**

Appd:	Jim.king	P/N: <b>M12-XX-X-S-4-R-PG9</b>			
Check:		Date	Scale	Unit	Page
Draw:	Gavin	2023.03.10	Free	MM	1/1