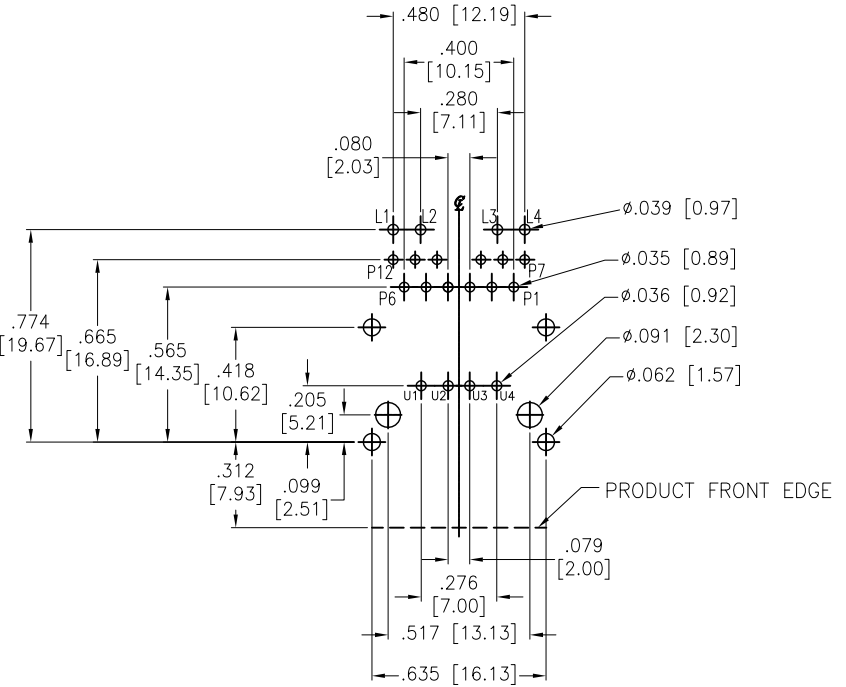
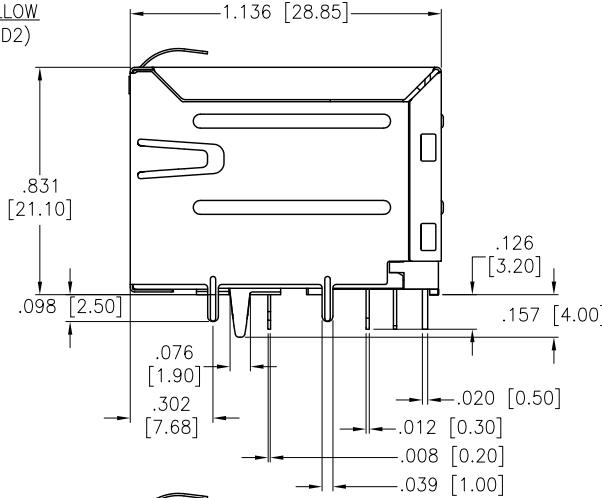
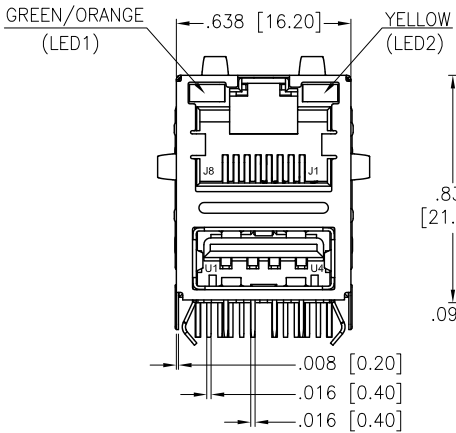
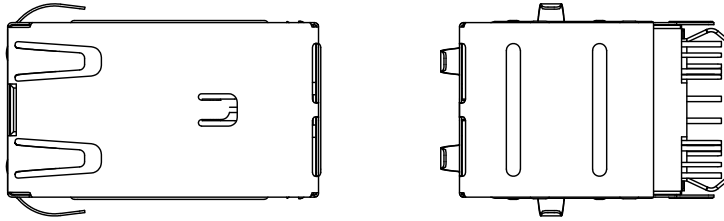
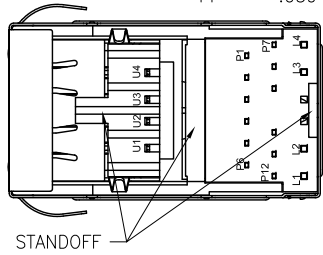


6		5		4		3		2		1	
APPROVED: _____						Rev	AWO #	Description		Date	Appr
DATE: _____ TITLE: _____						-		RELEASED		5/30/16	



SPECIFICATIONS:
 Material:
 Insulator: Thermoplastic, rated UL 94V-0
 Insulator color: Black
 Contacts: Copper Alloy
 Shield: Stainless Steel, pre-soldering
 Light Pipe: PC, rated UL 94V-0, Color: Transparent
 Contact Plating:
 Round contact
 Gold over Nickel underplate overall
 Flat contact
 Gold over Nickel underplate on contact area,
 Tin over Nickel underplate on solder tails
 (See chart for thickness)
 Electrical:
 Insulation resistance: 500 Mohms min
 Dielectric withstanding voltage: 1,000 VAC for 1 minute
 Temperature Rating:
 Operating temperature: -0°C to +70°C
 Environmental:
 Lead free, RoHS compliant.



X	PLATING
0	15 µin Gold
1	30 µin Gold
2	50 µin Gold
6	6 µin Gold

UNLESS OTHERWISE SPECIFIED
 ALL DIMENSIONS ARE INCHES [MM]
 TOLERANCES: EXCEPT AS NOTED

INCHES		HOLES	
.X	± .10	Ø.X	± .10
.XX	± .020	Ø.XX	± .015
.XXX	± .015	Ø.XXX	± .010

APPROVALS		DATE
DRAWN	AY	5/30/16
CHECKED	YC	5/30/16
APPROVED		

TITLE
 MODULAR JACK GANGED, 1 PORT, 8P8C, RJ45 + USB
 W/ LED GREEN / ORANGE, YELLOW

SIZE	PART NO.	REV.
X	MTJ-USB-88JX1-FS-PG-L29-M49Y	-

REF: S00101C SCALE: NTS SHEET 1 OF 2



6 5 4 3 2 1

Rev	AWO #	Description	Date	Appr
SEE SHT 1 OF 2 FOR REVISION				

APPROVED: _____
 DATE: _____ TITLE: _____

SCHEMATIC

ELECTRICAL CHARACTERISTICS :

- INSERTION LOSS :
- 1~100 MHz -1.0dB MAX.
- RETURN LOSS(LOAD 100Ω) :
- 1~30 MHz -18dB MIN
- 30~60 MHz -16dB MIN
- 60~80 MHz -12dB MIN
- 80~100 MHz -10dB MIN
- COMMON MODE REJECTION
- 1~100 MHz -30dB MIN
- CROSS TALK
- 1~100 MHz -30dB MIN
- INDUCTANCE @ 100KHz, 0.1V, 8mA DC BIAS
- (P11-P10),(P4-P5),(P3-P2),(P8-P9) : 350 uH MIN
- DCR
- (J1-J2),(J3-J6),(J4-J5),(J7-J8) : 1.2 OHM MAX
- HI-POT TEST
- PCB SIDE TO CABLE SIDE : 1500VAC 60S OR 2250VDC 60S
- URNS RATION 100KHz
- (P11-P10) : (J1-J2) = 1:1 ±%3
- (P4-P5) : (J3-J6) = 1:1 ±%3
- (P3-P2) : (J4-J5) = 1:1 ±%3
- (P8-P9) : (J7-J8) = 1:1 ±%3

UNLESS OTHERWISE SPECIFIED
 ALL DIMENSIONS ARE INCHES [MM]
 TOLERANCES: EXCEPT AS NOTED

INCHES		HOLES	
.X	± .10	∅.X	±.10
.XX	± .020	∅.XX	±.015
.XXX	± .015	∅.XXX	±.010

APPROVALS		DATE
DRAWN	AY	5/30/16
CHECKED	YC	5/30/16
APPROVED		

TITLE
 MODULAR JACK GANGED, 1 PORT, 8P8C, RJ45 + USB
 W/ LED GREEN / ORANGE, YELLOW

SIZE	PART NO.	REV.
X	MTJ-USB-88JX1-FS-PG-L29-M49Y	-

REF: S00101C SCALE: NTS SHEET 2 OF 2

6 5 4 3 2 1