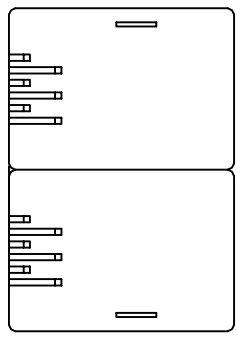
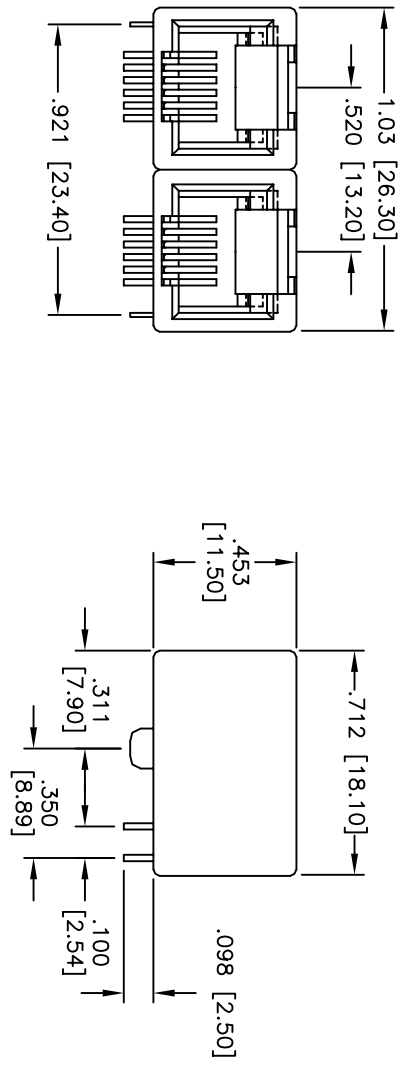
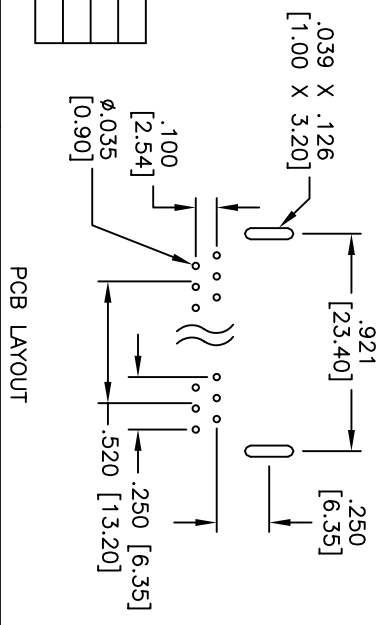


Rev	AWO #	Description	Date	Appr
-		RELEASED	10/4/04	

APPROVED: \_\_\_\_\_  
 DATE: \_\_\_\_\_ TITLE: \_\_\_\_\_



X	PLATING
0	15 $\mu$ in Gold
1	30 $\mu$ in Gold
2	50 $\mu$ in Gold



PCB LAYOUT

**SPECIFICATIONS:**  
 Material:  
 Insulator: PBT, rated UL 94V-0  
 Insulator color: Gray  
 Contacts: Phosphor Bronze  
 Plating:  
 Gold over Nickel underplate on contact area, Tin over Copper underplate on PCB tails

**Electrical:**  
 Operating voltage: 150 VAC max  
 Current rating: 1.5 Amps max  
 Contact resistance: 20 mohms max  
 Insulation resistance: 500 Mohms min @ 500 VDC  
 Dielectric withstanding voltage: 1000 VAC for 1 minute  
 Temperature Rating:  
 Operating temperature: -40°C to +125°C

UNLESS OTHERWISE SPECIFIED  
 ALL DIMENSIONS ARE INCHES [MM]  
 TOLERANCES: EXCEPT AS NOTED

INCHES	HOLDS
.X	$\pm .10$
.XX	$\pm .020$
.XXX	$\pm .015$
.XXX	$\pm .015$

APPROVALS	DATE

DRAWN	SS	DATE
		10/4/04

CHECKED	

APPROVED	

**ETA BEE**

**GANGED MODULAR TELEPHONE JACK, 6P6C  
 RIGHT ANGLE, PCB, METAL PEGS**

MTJG-2-68NX1