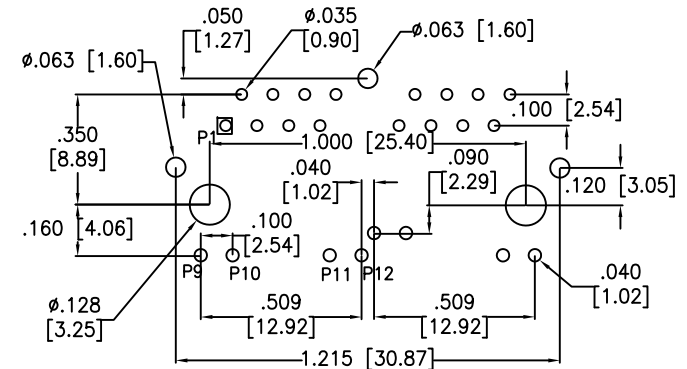
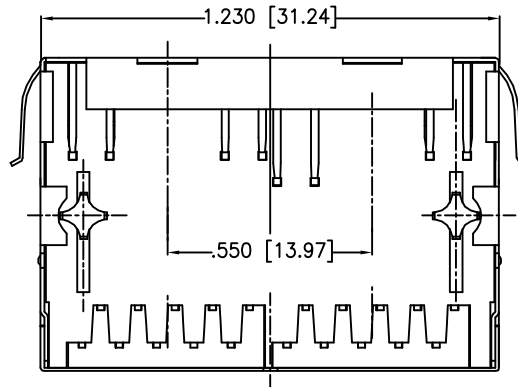
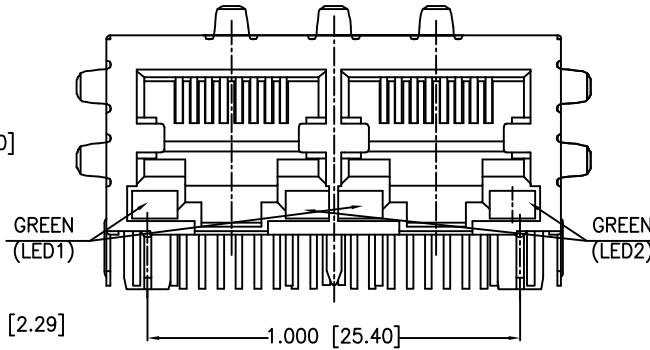
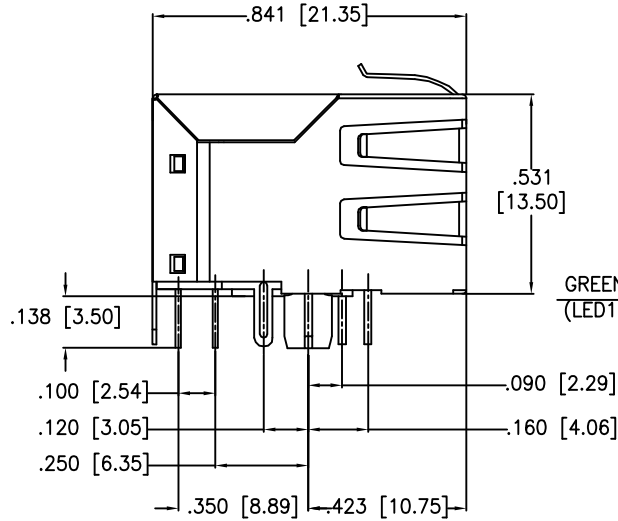


APPROVED: _____
 DATE: _____ TITLE: _____

Rev	AWO #	Description	Date	Appr
-		RELEASED	7/14/11	
A		RELEASED	7/5/16	HR/AY



RECOMMENDED PCB LAYOUT

SPECIFICATIONS:

Material:
 Insulator: PBT, glass reinforced, rated UL 94V-0
 Insulator color: Black
 Contacts: Copper Alloy
 Shield: Copper Alloy, Nickel plated
 Plating:
 Round contact
 Gold over Nickel underplate overall
 Flat contact
 Gold over Nickel underplate on contact area,
 Tin over Nickel underplate on solder tails
 (See chart for thickness)

Electrical:
 Voltage rating: 150 VAC max
 Current rating: 1.5 Amps max
 Contact Resistance: 20 mohms max. initial
 Insulation resistance: 500 Mohms min @ 500 VDC
 Dielectric withstanding voltage: 1000 VAC for 1 minut
 Temperature Rating:
 Operating temperature: -40°C to +125°C
 Environmental:
 Lead free, RoHS compliant.

X	PLATING
0	15 µin Gold
1	30 µin Gold
2	50 µin Gold



UNLESS OTHERWISE SPECIFIED
 ALL DIMENSIONS ARE INCHES [MM]
 TOLERANCES: EXCEPT AS NOTED
 INCHES HOLES
 .X ±.10 Ø.X ±.10
 .XX ±.020 Ø.XX ±.015
 .XXX ±.015 Ø.XXX ±.010

APPROVALS		DATE
DRAWN	DY	7/14/11
CHECKED		
APPROVED		



TITLE
 MODULAR JACK GANGED, 2 PORT, 8P8C
 W/ LED1 GREEN, LED2 GREEN

SIZE	PART NO.	REV.
X	MTJG-2-88TX1-FSD-PG-LD	A
REF: S00005C	SCALE: NTS	SHEET 1 OF 1