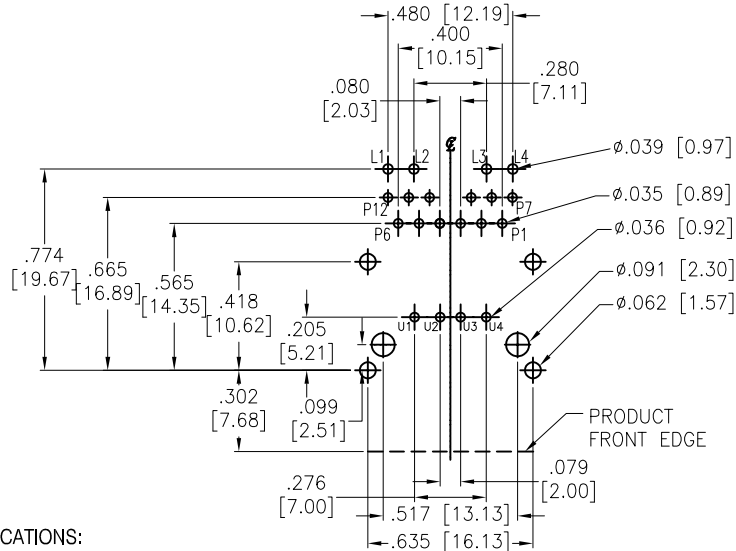


APPROVED: _____

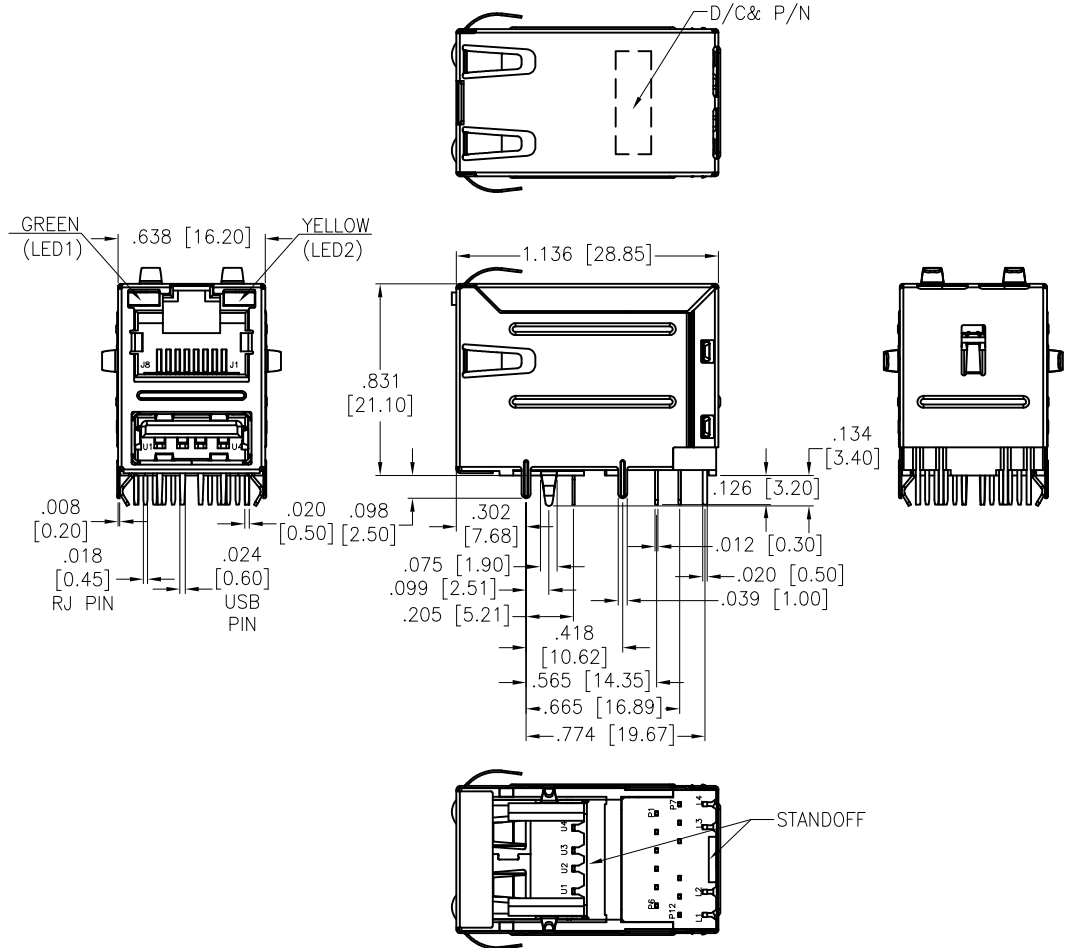
DATE: _____ TITLE: _____

Rev	AWO #	Description	Date	Appr
-		RELEASED	01/24/14	
A		UPDATED DRAWING	6/25/15	HR/NC
B		UPDATE DRAWING	9/22/25	WY/MC



SPECIFICATIONS:

Material:
 Insulator: PBT, rated UL 94V-0
 Insulator color: Black
 Module case: Hi-Temp Thermoplastic, rated UL 94V-0
 Module case color: Black
 RJ Contacts: Phosphor Bronze
 Solder Tail: Brass, Tin plated
 Shield: Stainless, pre-soldering
 USB Housing: PBT, rated UL 94V-0, Color: Black
 USB Contacts: Brass
 USB Shield: Stainless, Nickel plated
 Contact Plating:
 Flat contact
 Gold Flash over Nickel underplate on contact area,
 Tin over Nickel underplate on solder tails
 Round contact
 Gold over Nickel underplate overall
 USB Plating:
 Gold over Nickel underplate on contact area,
 Tin over Nickel underplate on solder tails
 RJ Electrical:
 Insulation resistance: 500 Mohms min
 Dielectric withstanding voltage: 1,500V AC or 2,250V DC for 1 minute
 USB Electrical:
 Insulation resistance: 100 Mohms min
 Dielectric withstanding voltage: 100V AC for 1 minute
 USB Mechanical:
 Insertion Force: 35N max
 Unmating force: 10N min
 Durability: 1,500 cycles
 Temperature Rating:
 Operating temperature: -0°C to +70°C
 Environmental:
 Lead free, RoHS compliant.



UNLESS OTHERWISE SPECIFIED ALL DIMENSIONS ARE INCHES [MM]. TOLERANCES: EXCEPT AS NOTED			
.X	± .10	Ø.X	± .10
INCHES .XX	± .020	HOLES Ø.XX	± .015
.XXX	± .015	Ø.XXX	± .010
DRAWN	HR	01/24/14	
CHECKED	YC	01/24/14	
APPROVED			
CONFIDENTIAL AND PROPRIETARY			
© Adam Tech. All rights reserved. This document contains confidential and proprietary information belonging to Adam Tech. It is provided solely for design and reference purposes by authorized parties. Any reproduction, distribution, display, or disclosure to third parties, in whole or in part, without the prior written consent of Adam Tech, is strictly prohibited. Adam Tech retains all rights, including copyright, trademark, trade secret, and all other intellectual property rights worldwide.			

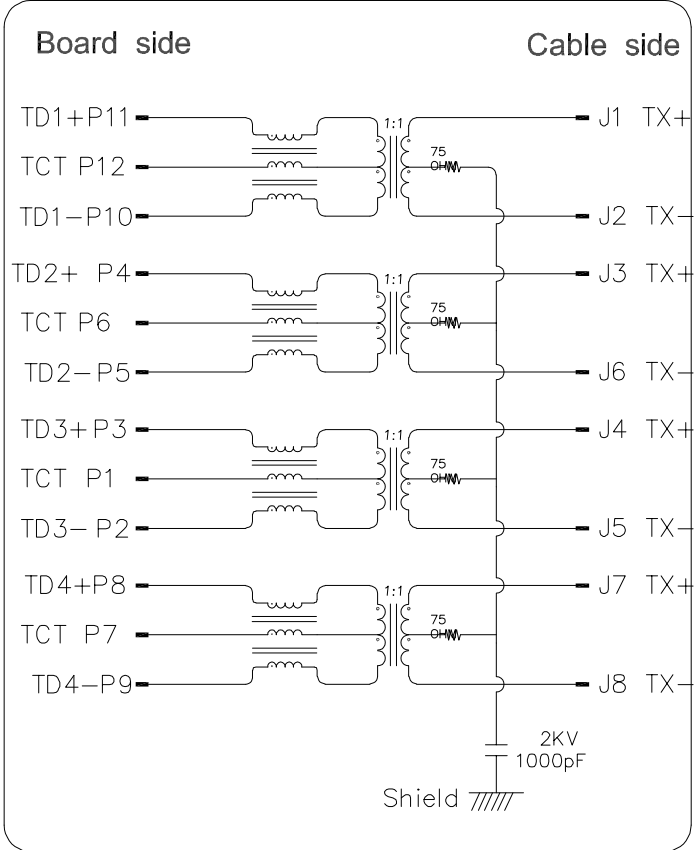


TITLE		
MODULAR JACK GANGED, 1 PORT, 8P8C RJ45 + USB, W/ LED GREEN & YELLOW		
SIZE	PART NO.	REV.
X	MTJ-USB-88JX1-FS-PG-LH-M49	B
REF:	S00101C	SHEET 1 OF 2
SCALE:	NTS	

APPROVED: _____

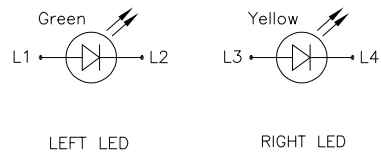
DATE: _____ TITLE: _____

Rev	AWO #	Description	Date	Appr
SEE SHT 1 OF 2 FOR REVISION				



ELECTRICAL CHARACTERISTICS :

- INSERTION LOSS :
 - 1~100 MHz -1.0dB MAX.
- RETURN LOSS(LOAD 100Ω) :
 - 1~30 MHz -18dB MIN
 - 30~60 MHz -16dB MIN
 - 60~80 MHz -12dB MIN
 - 80~100 MHz -10dB MIN
- COMMON MODE REJECTION
 - 1~100 MHz -30dB MIN
- CROSS TALK
 - 1~100 MHz -30dB MIN
- INDUCTANCE @ 100KHz, 0.1V, 8mA DC BIAS
 - (P11-P10),(P4-P5),(P3-P2),(P8-P9) : 350 uH MIN
- DCR
 - (J1-J2),(J3-J6),(J4-J5),(J7-J8) : 1.2 OHM MAX
- HI-POT TEST
 - PCB SIDE TO CABLE SIDE : 1500VAC 60S OR 2250VDC 60S
- TURNS RATION 100KHz
 - (P11-P10) : (J1-J2) = 1:1 ±%3
 - (P4-P5) : (J3-J6) = 1:1 ±%3
 - (P3-P2) : (J4-J5) = 1:1 ±%3
 - (P8-P9) : (J7-J8) = 1:1 ±%3



Emitting Color	Ap (nm)	Vf @If=20mA	Ir @Vr=5V
Green	565	1.7V~2.6V	10µA max.
Yellow	585	1.7V~2.6V	10µA max.

UNLESS OTHERWISE SPECIFIED ALL DIMENSIONS ARE INCHES [MM]. TOLERANCES: EXCEPT AS NOTED

.X	± .10	∅.X	± .10
INCHES .XX	± .020	HOLES ∅.XX	± .015
.XXX	± .015	∅.XXX	± .010

DRAWN	HR	01/24/14
CHECKED	YC	01/24/14
APPROVED		

CONFIDENTIAL AND PROPRIETARY
 © Adam Tech. All rights reserved. This document contains confidential and proprietary information belonging to Adam Tech. It is provided solely for design and reference purposes by authorized parties. Any reproduction, distribution, display, or disclosure to third parties, in whole or in part, without the prior written consent of Adam Tech, is strictly prohibited. Adam Tech retains all rights, including copyright, trademark, trade secret, and all other intellectual property rights worldwide.



TITLE **MODULAR JACK GANGED, 1 PORT, 8P8C RJ45 + USB, W/ LED GREEN & YELLOW**

SIZE X	PART NO. MTJ-USB-88JX1-FS-PG-LH-M49	REV. B
REF: S00101C	SCALE: NTS	SHEET 2 OF 2