

# M12 Female Connector, Shielded Field Wireable, PG9

## Features:

- Threaded Coupling
- IP67 (Rating)
- Pollution Degree: 3
- Suitable Cable Dia: 6~8mm
- Wire Gauge: 2~5P: 22AWG; 6~8P: 24AWG
- Products Comply With IEC 61076-2-101 Industry 4.0 Agreement, NEMA2000 Standard



## Electrical Specifications

Contacts	2	3	4	4D	5	5B	6	8
Rated Current (A)	4	4	4	4	4	4	2	2
Rated Voltage (AC,V)	250	250	250	250	60	60	30	30
Rated Pulse Voltage (AC,V)	2500	2500	2500	2500	1500	1500	800	800
Insulation Resistance (MΩ)	≥100	≥100	≥100	≥100	≥100	≥100	≥100	≥100
Contact Resistance (mΩ)	≤5	≤5	≤5	≤5	≤5	≤5	≤5	≤5
Insulation Resistance (MΩ)	≥1000	≥1000	≥1000	≥1000	≥1000	≥1000	≥1000	≥1000

## Mechanical Specifications

Mating Cycles	500 Min
Coupling Mechanism	Threaded
Interface Specification	IEC 61076-2-101

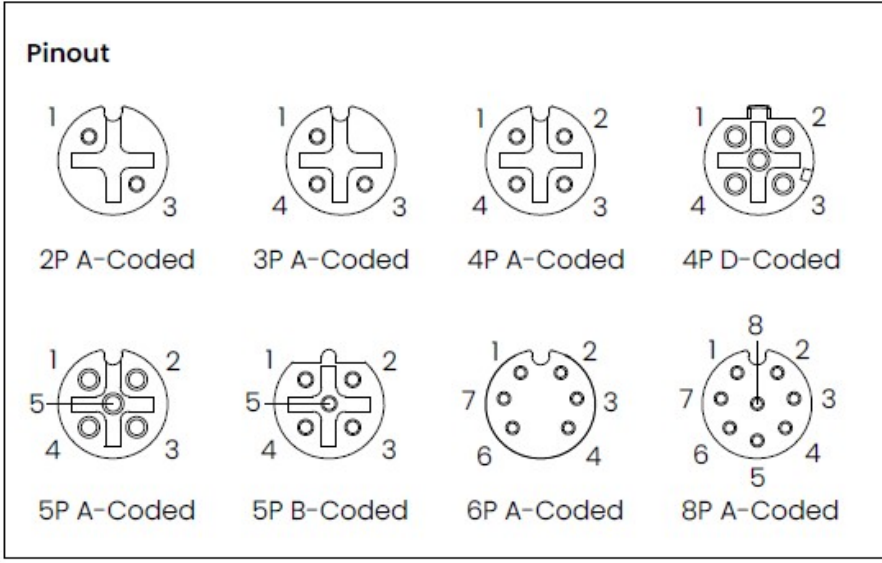
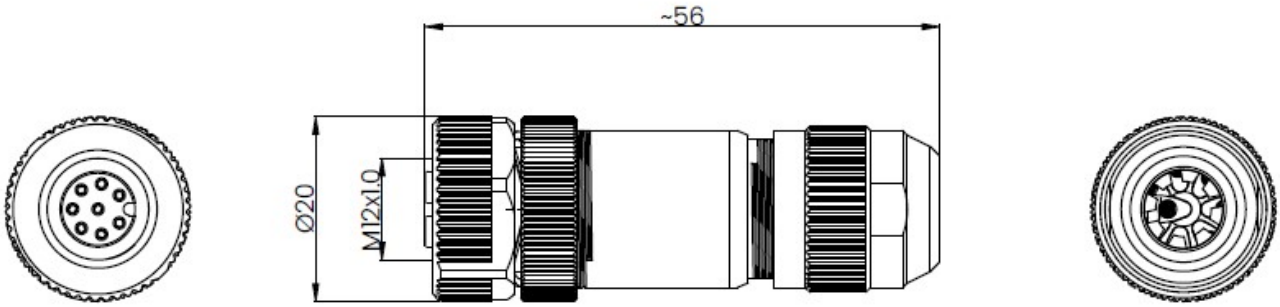
## Environmental Specifications

Temperature Range	-40°C to +80°C
-------------------	----------------

## Material Specifications

Shell	Zinc Alloy, Nickel Plating
Hex Nut	Zinc Alloy, Nickel Plating
Insulator	PA66 UL94-V0, Black
Contacts	Copper Alloy, Gold Plating
Sealing Ring	NBR, Black

**Drawing**



**Part Number:**  
M12-XX-X-S-4-S-PG9

Code:  
A, B, D

Number of Contacts:  
02, 03, 04, 05, 06, 08

UNLESS OTHERWISE SPECIFIED  
TOLERANCES FOR MILLIMETERS  
ARE:

- 0.5 - 8mm ± 0.20mm
- 8 - 30mm ± 0.25mm
- 30 - 120mm ± 0.30mm

**Disclaimer**

The information in this specification is subject to change without notice. Please confirm the latest version before use. Technical parameters are for reference only, and sufficient testing and verification should be conducted in actual applications.