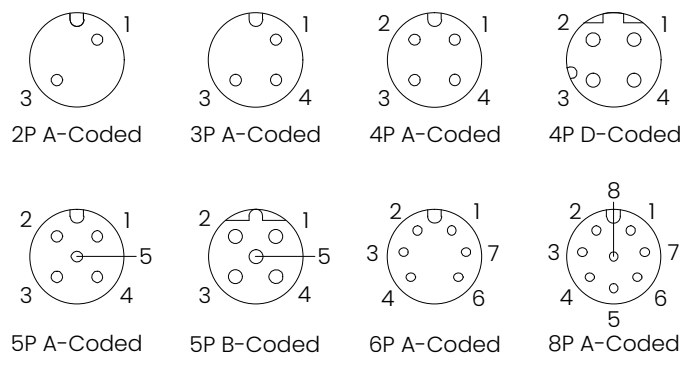




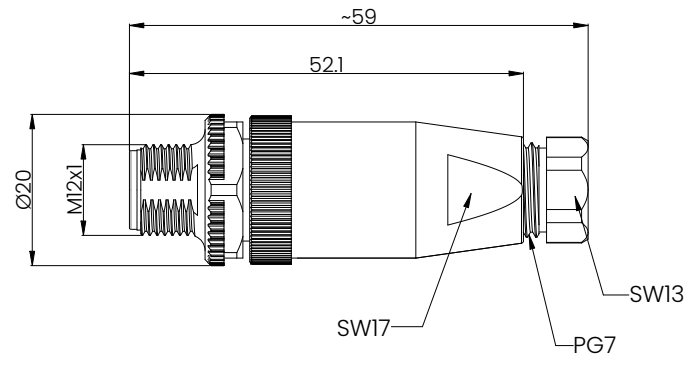
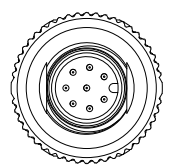
REV	DESCRIPTION	DATE	APPROVEN
R1.0	First issue	2023/03/10	JIM.KING

**Pinout**



**Technical Specifications**

Coupling:	Threaded Coupling
Termination:	Screw
Pollution Degree:	3
Mating Cycles:	≥500
IP Rating:	IP67 When Mated
Temperature Range:	-40°C ~ +80°C
Suitable Cable Dia:	4~6mm
Wire Gauge:	2~5P: 22AWG; 6~8P: 24AWG



**Part Number:**

M12-XX-X-P-3-S-PG7

Code:  
A, B, D

Number of Contacts:  
02, 03, 04, 05, 06, 08

Contacts	2	3	4	4D	5	5B	6	8
Rated Voltage/Current	4A/250V	4A/250V	4A/250V	4A/250V	4A/60V	4A/60V	2A/30V	2A/30V
Rated Pulse Voltage	2500V	2500V	2500V	2500V	1500V	1500V	800V	800V
Insulation Resistance (MΩ)	≥100	≥100	≥100	≥100	≥100	≥100	≥100	≥100
Contact Resistance (mΩ)	≤5	≤5	≤5	≤5	≤5	≤5	≤5	≤5

5	Sealing Ring	NBR	Black	/
4	Contacts	Copper Alloy	Gold Plating	/
3	Insulator	PA66 UL94-V0	Black	1
2	Hex Nut	Zinc Alloy	Nickel Plating	1
1	Shell	PA66 UL94-V0	Black	1
NO	DESCRIPTION	MATERIAL	FINISH	QTY

-TOLERANCES-  
UNLESS OTHERWISE  
SPECIFIED

UNLESS OTHERWISE SPECIFIED  
TOLERANCES FOR MILLIMETERS  
ARE:  
0.5 - 8mm ± 0.20mm  
8 - 30mm ± 0.25mm  
30 - 120mm ± 0.30mm

**METABEE** **Metabee (Chengdu) Technology Co., Ltd.**  
Tel: +8615926241606 E-mail: Sales@metabeeai.com

PART DESCRIPTION:  
M12 Male Connector, Field Wireable, PG7

P/N: **M12-XX-X-P-3-S-PG7**

Appd:	Jim.king	Date	Scale	Unit	Page
Check:		2023.03.10	Free	MM	1/1
Draw:	Gavin				