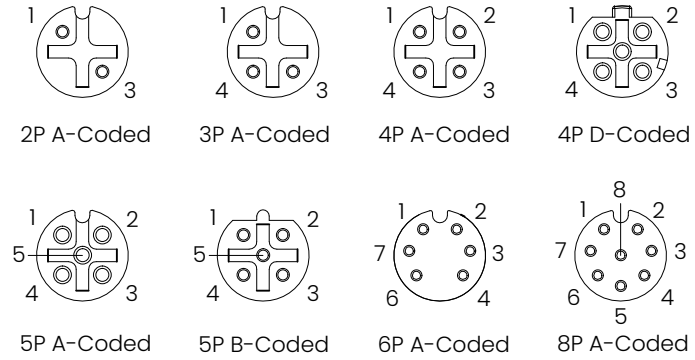




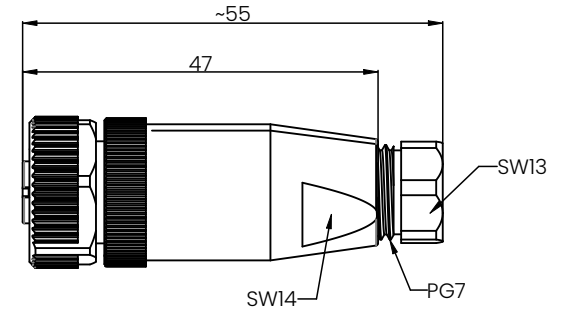
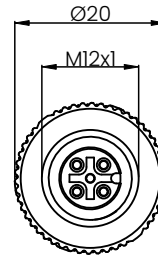
REV	DESCRIPTION	DATE	APPROVEN
R1.0	First issue	2023/03/10	JIM.KING

Pinout



Technical Specifications

Coupling:	Threaded Coupling
Termination:	Screw
Pollution Degree:	3
Mating Cycles:	≥500
IP Rating:	IP67 When Mated
Temperature Range:	-40°C ~ +80°C
Suitable Cable Dia:	4~6mm
Wire Gauge:	2~5P: 22AWG; 6~8P: 24AWG



Part Number:

M12-XX-X-S-3-S-PG7

Code:
A, B, D

Number of Contacts:
02, 03, 04, 05, 06, 08

Contacts	2	3	4	4D	5	5B	6	8
Rated Voltage/Current	4A/250V	4A/250V	4A/250V	4A/250V	4A/60V	4A/60V	2A/30V	2A/30V
Rated Pulse Voltage	2500V	2500V	2500V	2500V	1500V	1500V	800V	800V
Insulation Resistance (MΩ)	≥100	≥100	≥100	≥100	≥100	≥100	≥100	≥100
Contact Resistance (mΩ)	≤5	≤5	≤5	≤5	≤5	≤5	≤5	≤5

5	Sealing Ring	NBR	Black	/
4	Contacts	Copper Alloy	Gold Plating	/
3	Insulator	PA66 UL94-V0	Black	1
2	Hex Nut	Zinc Alloy	Nickel Plating	1
1	Shell	PA66 UL94-V0	Black	1
NO	DESCRIPTION	MATERIAL	FINISH	QTY

-TOLERANCES-
UNLESS OTHERWISE
SPECIFIED

UNLESS OTHERWISE SPECIFIED
TOLERANCES FOR MILLIMETERS
ARE:
0.5 - 8mm ± 0.20mm
8 - 30mm ± 0.25mm
30 - 120mm ± 0.30mm



Metabee (Chengdu) Technology Co., Ltd.
Tel: +8615926241606 E-mail: Sales@metabeeai.com



PART DESCRIPTION:
M12 Female Connector, Field Wireable, PG7

Appd:	Jim.king	P/N: M12-XX-X-S-3-S-PG7			
Check:		Date	Scale	Unit	Page
Draw:	Gavin	2023.03.10	Free	MM	1/1