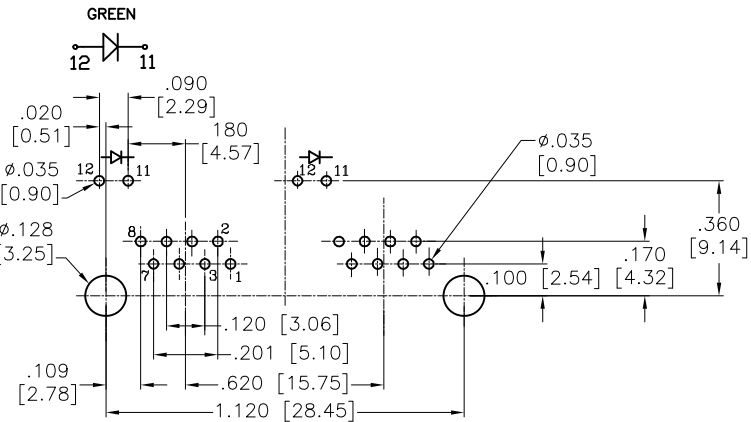
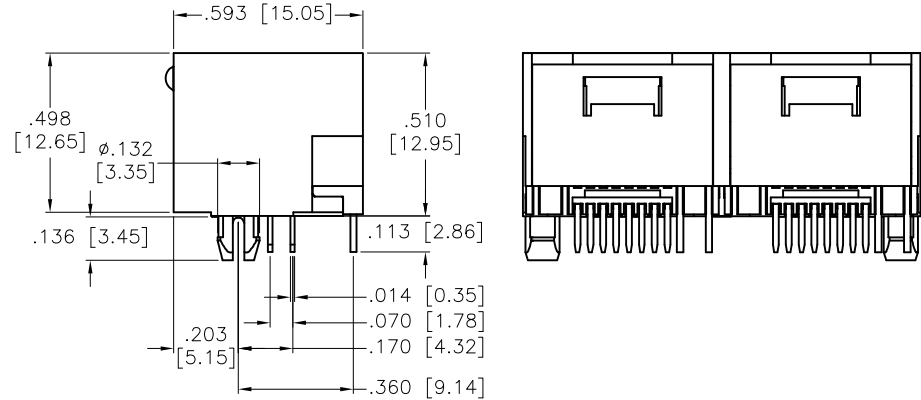
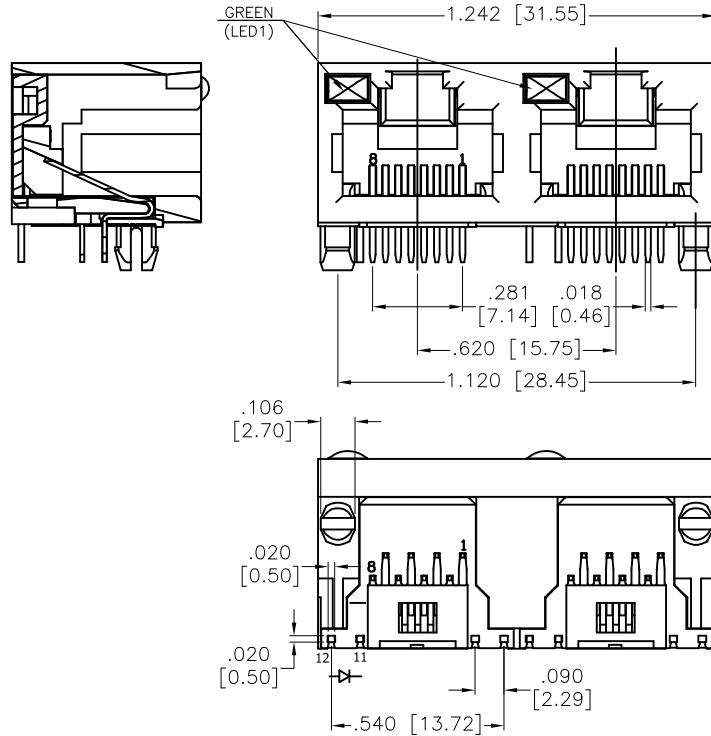


APPROVED: _____
 DATE: _____ TITLE: _____

Rev	AWO #	Description	Date	Appr
-		RELEASED	3/18/13	
A		REDRAWN	1/14/16	AY/LL
B		UPDATED DIM.	1/18/16	AY/LL
C		UPDATE DRAWING	7/15/20	AY/NL



RECOMMENDED PCB LAYOUT

SPECIFICATIONS:

Material:
 Insulator: PBT, rated UL 94V-0
 Insulator color: Black
 Contacts: Phosphor Bronze
 Contacts Plating:
 Round contact
 Gold over Nickel underplate overall
 Flat contact
 Gold over Nickel underplate on contact area,
 Tin over Nickel underplate on solder tails
 Electrical:
 Voltage rating: 150 VAC Rms
 Current rating: 1.5 Amps
 Contact Resistance: 20 mohms max.
 Insulation resistance: 1,000 Mohms min @ 500 VDC
 Dielectric withstanding voltage:
 Contact to All Other Contact: 1,000 VDC or AC Peak for 1 minute
 Temperature Rating:
 Operating temperature: -40°C to +85°C
 Environmental:
 Lead free, RoHS Compliant



UNLESS OTHERWISE SPECIFIED
 ALL DIMENSIONS ARE INCHES [MM]
 TOLERANCES: EXCEPT AS NOTED

INCHES	HOLES
.X ± .10	ϕ X ± .10
.XX ± .020	ϕ .XX ± .015
.XXX ± .015	ϕ .XXX ± .010



TITLE
 MODULAR TELEPHONE JACK, GANGED
 8P8C, W/ LED1 GREEN, LED2 BLANK

APPROVALS		DATE
DRAWN	AY	3/18/13
CHECKED	YC	3/18/13
APPROVED		

SIZE	PART NO.	REV.
X	MTJG-2-88ARX1C-LE	B
REF: S00005C	SCALE: NTS	SHEET 1 OF 1