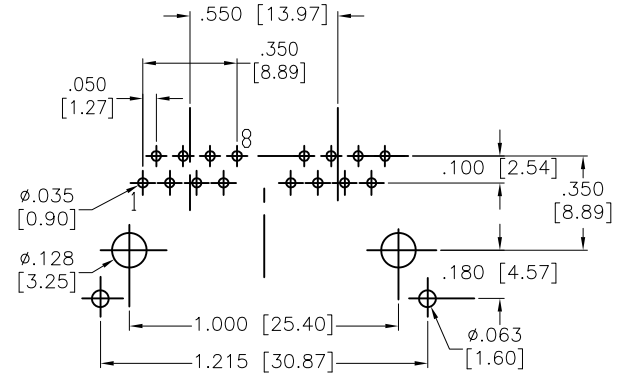
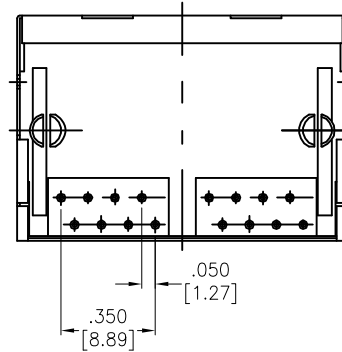
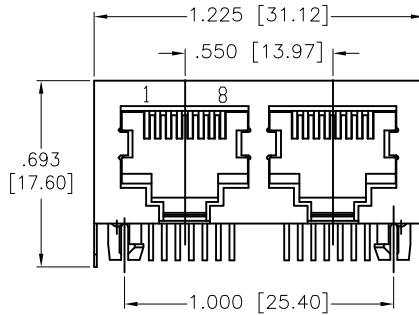
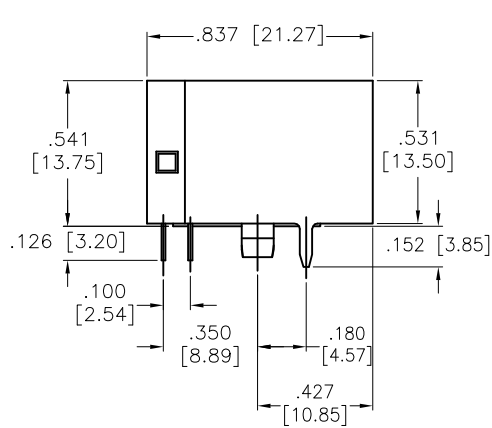


APPROVED: _____
 DATE: _____ TITLE: _____

Rev	AWO #	Description	Date	Appr
-		RELEASED	12/8/11	
A		UPDATED DRAWING	12/10/18	HR/IL



RECOMMENDED PCB LAYOUT

SPECIFICATIONS:

Material:
 Insulator: PBT, rated UL 94V-0
 Insulator color: Black
 Contacts: Phosphor Bronze
 Shell: Brass, Nickel plated

Plating:
 Round contact
 Gold over Nickel underplate overall
 Flat contact

Gold over Nickel underplate on contact area,
 Tin over Nickel underplate on solder tails

Electrical:
 Voltage rating: 150 VAC RMS
 Current rating: 1.5 Amp
 Contact Resistance: 20 mohms max
 Insulation resistance: 1,000 Mohms min @ 500 VDC
 Dielectric strength: 1,000 VDC or AC peak for 1 minute Contact to Contact
 1,500 VDC or AC peak for 1 minute Contact to Screen and Teat panel

Temperature Rating:
 Operating temperature: -40°C to +85°C
 Environmental:
 Lead free, RoHS compliant.



UNLESS OTHERWISE SPECIFIED
 ALL DIMENSIONS ARE INCHES [MM]
 TOLERANCES: EXCEPT AS NOTED
 INCHES HOLES
 .X ± .10 Ø.X ± .10
 .XX ± .020 Ø.XX ± .015
 .XXX ± .015 Ø.XXX ± .010

APPROVALS		DATE
DRAWN	HR	12/8/11
CHECKED	WC	12/8/11
APPROVED		

TITLE
**MODULAR TELEPHONE JACK, GANGED
 8P8C, SHIELDED, 2 PORTS**

SIZE	PART NO.	REV.
X	MTJG-2-88GX1-FSG	A

REF: S00005C SCALE: NTS SHEET 1 OF 1