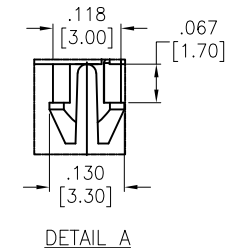
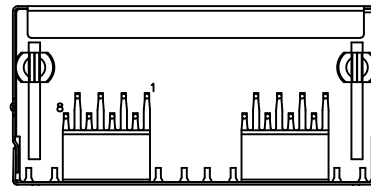
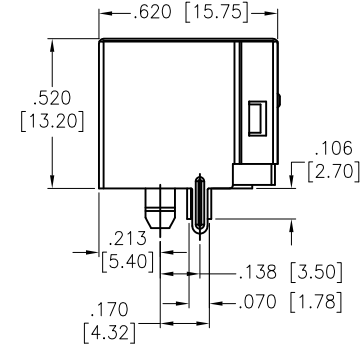
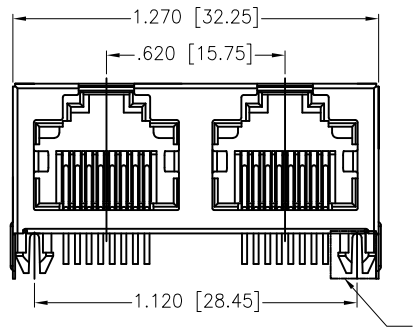
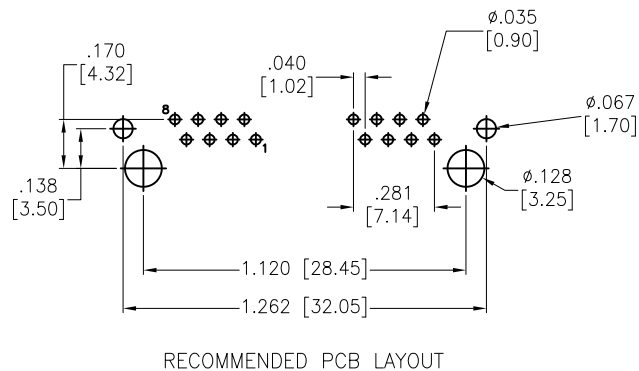


APPROVED: \_\_\_\_\_  
 DATE: \_\_\_\_\_ TITLE: \_\_\_\_\_

Rev	AWO #	Description	Date	Appr
-		RELEASED	3/4/22	



**SPECIFICATIONS:**

Material:  
 Insulator: Hi-Temp Thermoplastic, rated UL 94V-0  
 Insulator color: Black  
 Contacts: Phosphor Bronze  
 Shield: Copper Alloy, Nickel plated  
 Plating:  
 Round contact  
 Gold over Nickel underplate overall  
 Flat contact  
 Gold over Nickel underplate on contact area,  
 Tin over Nickel underplate on solder tails

Electrical:  
 Voltage rating: 150 VAC Rms  
 Current rating: 1.5 Amp max@25°C  
 Contact Resistance: 30 mohms max.  
 Insulation resistance: 500 Mohms min  
 Dielectric withstanding voltage: 1000VAC

Temperature Rating:  
 Operating temperature: -40°C to +105°C

Environmental:  
 Lead free, RoHS Compliant



UNLESS OTHERWISE SPECIFIED ALL DIMENSIONS ARE INCHES [MM]. TOLERANCES: EXCEPT AS NOTED

INCHES	HOLES
.X ± .10	ØX ± .10
.XX ± .020	ØXX ± .015
.XXX ± .015	ØXXX ± .010



DRAWN	WX	3/4/22
CHECKED	TY	3/4/22
APPROVED		

TITLE  
 MODULAR TELEPHONE JACK, GANGED, 8P8C

THIS DRAWING CONTAINS INFORMATION THAT IS PROPRIETARY AND SHOULD NOT BE USED WITHOUT PRIOR WRITTEN PERMISSION FROM ADAM TECH

SIZE	PART NO.	REV.
X	MTJG-2-88ARX1-FSW-EMI-Y-HT-HF	-
REF: S00101C	SCALE: NTS	SHEET 1 OF 1