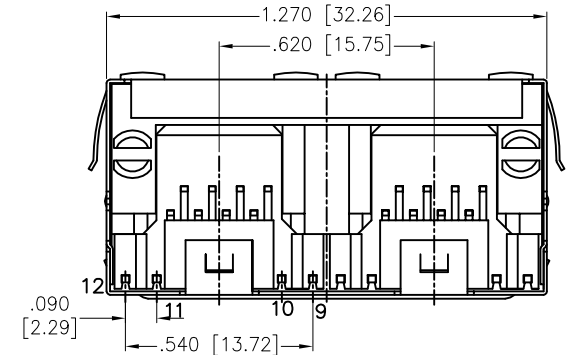
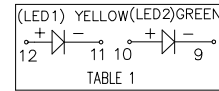
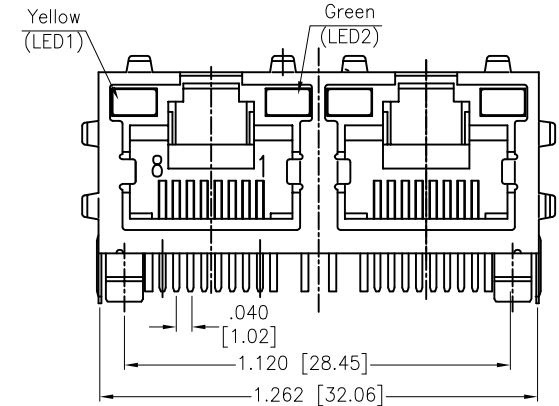
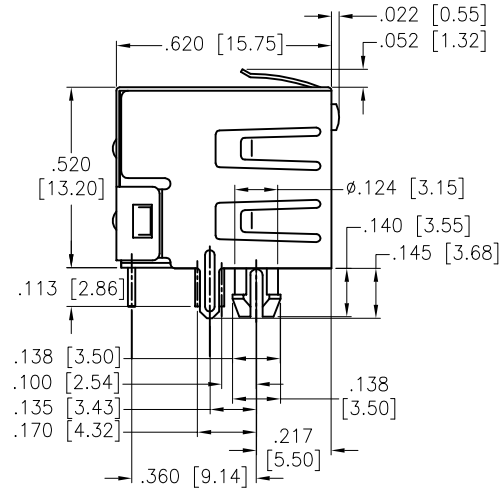
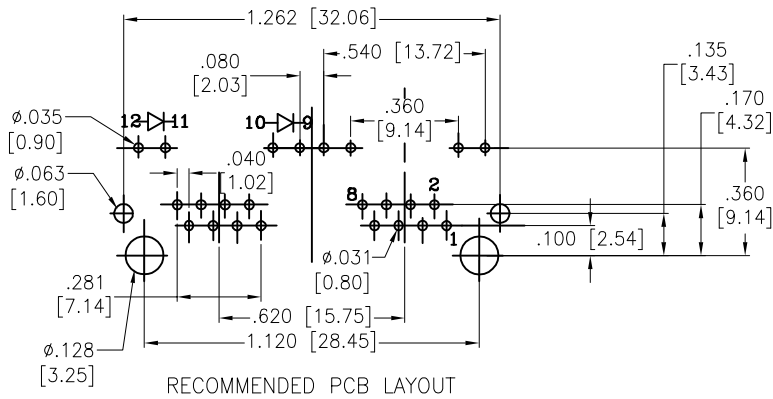


APPROVED: _____

DATE: _____ TITLE: _____

Rev	AWO #	Description	Date	Appr
-		RELEASED	3/15/24	



SPECIFICATIONS:

Material:

Insulator: PBT, rated UL 94V-0

Insulator color: Black

Contacts: Phosphor Bronze

Shield: Brass, Nickel plated

Contact Plating:

Round contact

Gold over Nickel underplate overall

Flat contact

Gold over Nickel underplate on contact area

Tin over Nickel underplate on solder tails

Electrical:

Voltage rating: 150 VAC max

Current rating: 1.5 Amp max

Contact resistance: 20 mohms max

Insulation resistance: 1000 Mohms min @ 500 VDC

Dielectric withstanding voltage: Contact to Contact: 1,000 VDC or AC Peak for 1 minute
Contact to Shield: 1,500 VDC or AC Peak for 1 minute

Temperature Rating:

Operating temperature: -40°C to +85°C

Environmental:

Lead free, RoHS compliant.



UNLESS OTHERWISE SPECIFIED ALL DIMENSIONS ARE INCHES [MM]. TOLERANCES: EXCEPT AS NOTED

INCHES		HOLES	
.x	± .10	∅x	±.10
.xx	± .020	∅xx	±.015
.xxx	± .015	∅xxx	±.010

DRAWN	JJ	3/15/24
CHECKED	TW	3/15/24
APPROVED		

THIS DRAWING CONTAINS INFORMATION THAT IS PROPRIETARY AND SHOULD NOT BE USED WITHOUT PRIOR WRITTEN PERMISSION FROM ADAM TECH



TITLE: MODULAR TELEPHONE JACK, GANGED
8P8C, W/ LED1 YELLOW, LED2 GREEN

SIZE X	PART NO. MTJG-2-88ARX1-FSM-PG-LG	REV. -
REF: S00005C	SCALE: NTS	SHEET 1 OF 1