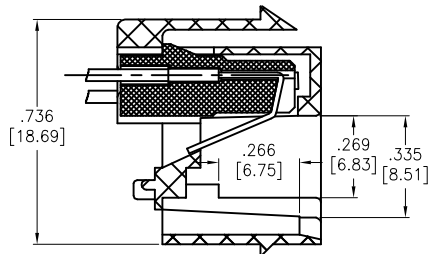
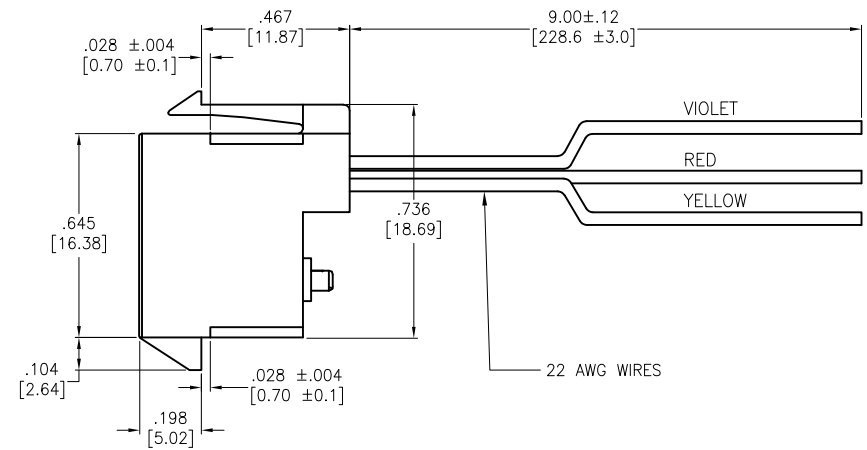
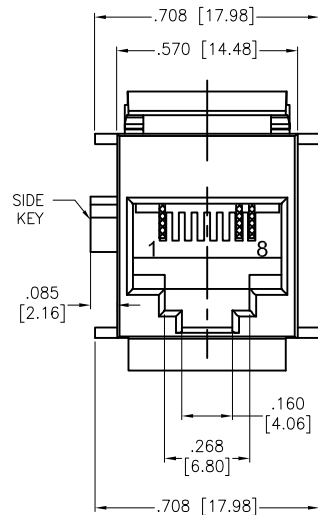
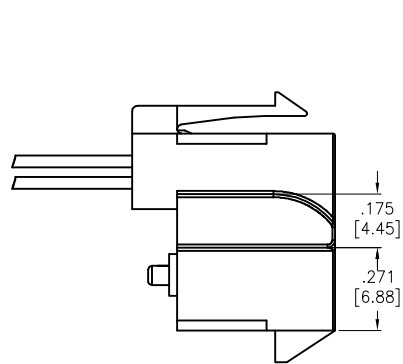


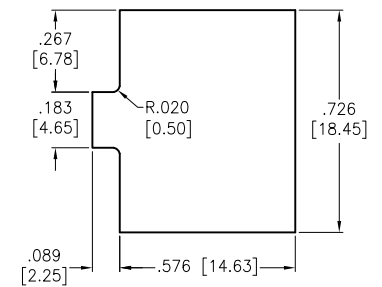
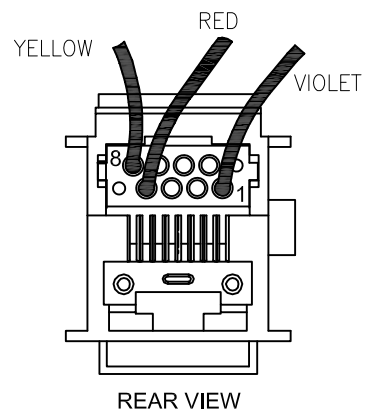
APPROVED: _____
 DATE: _____ TITLE: _____

Rev	AWO #	Description	Date	Appr
-		RELEASED	02/18/20	TW



POSITION	WIRE COLOR
1	VIOLET
2	OPEN
3	OPEN
4	OPEN
5	OPEN
6	OPEN
7	RED
8	YELLOW

* NOTE: NO CONTACTS LOADED IN OPEN POSITIONS



RECOMMENDED PANEL CUT-OUT
 (MOUNTING FROM REAR OF PANEL)
 NOMINAL THICKNESS = .023" [0.584]

SPECIFICATIONS:

Material:
 Insulator: ABS, rated UL 94V-0
 Insulator color: Black
 Contacts: Phosphor Bronze, Gold plated
 Wires: 22 AWG, UL 1061, Violet, Red & Yellow
 All Blunt Cut at P2 side.

Plating:
 Gold over Nickel underplate on mating area

Electrical:
 Operating voltage: 125 VAC max
 Current rating: 1.5 Amps max
 Contact resistance: 30 mohms max
 Insulation resistance: 1,000 Mohms min @ 500 VDC
 Dielectric withstanding voltage: 1,000 VAC for 1 minute

Mechanical:
 Operating temperature: 0°C to +70°C

Environmental:
 Lead free, RoHS compliant.



UNLESS OTHERWISE SPECIFIED ALL DIMENSIONS ARE INCHES [MM] TOLERANCES: EXCEPT AS NOTED			
INCHES		HOLES	
.X	± .10	Ø.X	± .10
.XX	± .020	Ø.XX	± .015
.XXX	± .015	Ø.XXX	± .010
APPROVALS		DATE	
DRAWN	TW	02/18/20	
CHECKED	TW	02/18/20	
APPROVED			



TITLE: WIRE LEADED TELEPHONE JACK, 8P3C, 22 AWG,
 3 LEADS 9" LONG, NO TERMINALS, BLUNT CUT

SIZE	PART NO.	REV.
X	MTJP-648-K4-AN2811-1-C4-02	-
REF:	S00005C	SCALE: NTS
		SHEET 1 OF 1