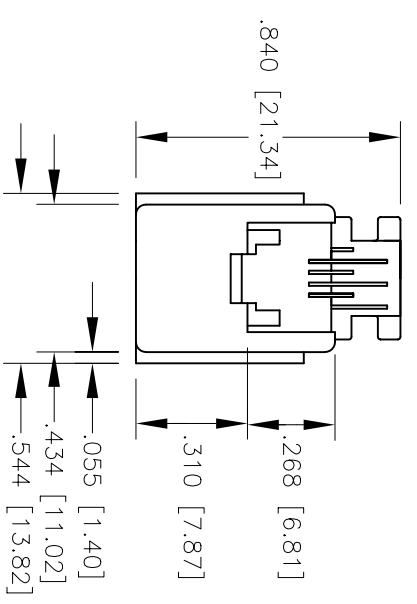
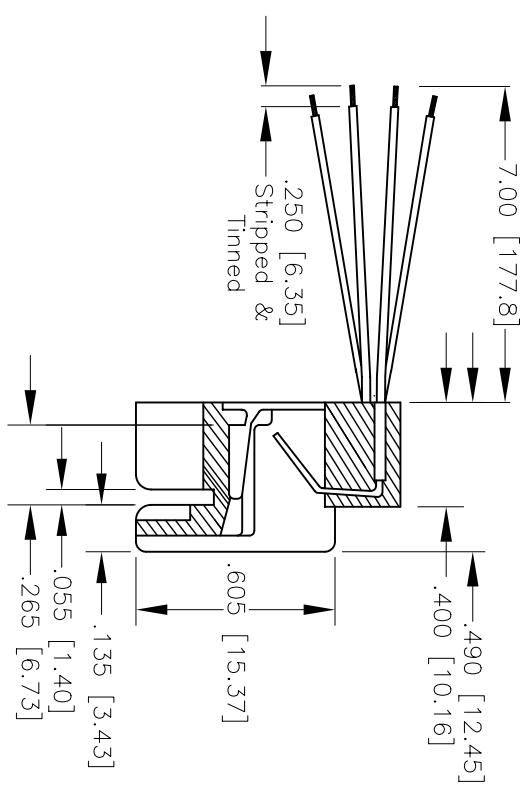
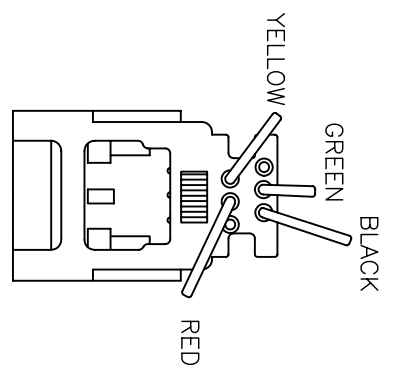


APPROVED: _____ TITLE: _____
 DATE: _____

Rev	Description	Date	Appr
-	Released	7/27/04	



SPECIFICATION:

Material:

Insulator: Polybutylene Terephthalate (PBT), glass-reinforced thermoplastic rated UL 94V-0, Color: Black

Contacts: Copper Alloy

Plating:

"X" µin gold to MIL-G-45204, Type II, Grade C on contact area over 50 µin min nickel underplate to QQ-N-290, Grade C, tin-lead on solder tails.

Electrical:

Operation voltage: 150 VAC max

Current rating: 1 Amp max

Contact resistance: 20 mohm max

Insulation resistance: 500 Mohm min @ 100 VDC between adjacent contacts

Dielectric withstanding voltage: 1000 VAC/minute between adjacent contacts.

Environmental:

Operating temperature: -40°C to +70°C

CAVITY CONFORMS TO FCC RULES AND REGULATIONS, PART 68, SUBPART F

X	PLATING
0	15 µin Gold
1	30 µin Gold
2	50 µin Gold

ADAM TECH		LETABEE	
Dimensions: In [mm] <small>Tolerances: Except As Noted (Inches)</small>		PART NUMBER: MTJP - 623 - P4 - X - A1 - 1	
DRAWN : SS	APPR :	SHEET 1 OF 1	LOG
Date: 7/27/04	SCALE : NTS	REF.	REV. -