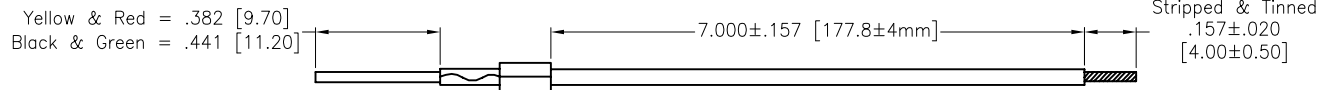
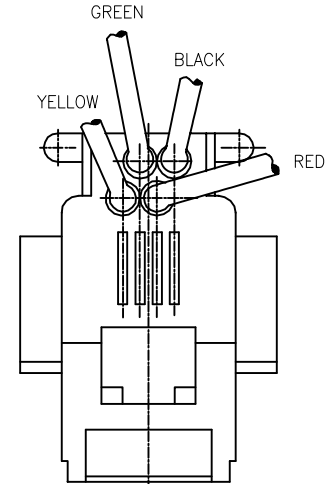
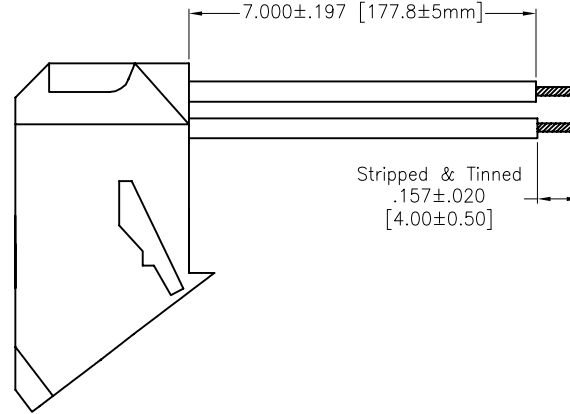
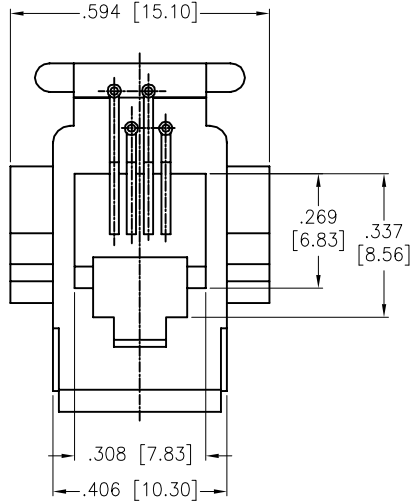


APPROVED: _____
 DATE: _____ TITLE: _____

| Rev | AWO # | Description | Date | Appr |
|-----|-------|--------------|----------|-------|
| - | | RELEASED | 03/11/13 | |
| A | | UPDATE SPEC. | 5/22/18 | AY/RC |



SPECIFICATIONS:

Material:
 Insulator: ABS, rated UL 94V-0
 Insulator color: Gray
 Contacts: Phosphor Bronze
 Wires: 26AWG, Stranded, UL1061
 Plating:
 Gold over Nickel underplate on mating area
 Electrical:
 Voltage rating: 125 VAC RMS
 Current rating: 1.5 Amp
 Contact resistance: 20 mohms max
 Insulation resistance: 1,000 Mohms min @ 500 VDC
 Dielectric withstanding voltage: 1,000 VAC or 1500 VDC RMS for 1 minute
 Temperature Rating:
 Operating temperature: 0°C to +70°C
 Environmental:
 Lead free, RoHS compliant



| X | PLATING |
|---|-------------|
| 0 | 15 µin Gold |
| 1 | 30 µin Gold |
| 2 | 50 µin Gold |

| | | | |
|---|--------|----------|-------|
| UNLESS OTHERWISE SPECIFIED ALL DIMENSIONS ARE INCHES [MM] TOLERANCES: EXCEPT AS NOTED | | | |
| INCHES | | HOLES | |
| .X | ± .10 | Ø.X | ±.10 |
| .XX | ± .020 | Ø.XX | ±.015 |
| .XXX | ± .015 | Ø.XXX | ±.010 |
| APPROVALS | | DATE | |
| DRAWN | TW | 03/11/13 | |
| CHECKED | EC | 03/11/13 | |
| APPROVED | | | |



TITLE
 WIRE LEADED TELEPHONE JACK., 616W,
 4P4C, 26AWG, STRIPPED & TINNED

| | | |
|--------------|------------------------------|--------------|
| SIZE X | PART NO. MTJP-616W-X-A1-2 | REV. A |
| REF: S00005C | SCALE: NTS | SHEET 1 OF 1 |