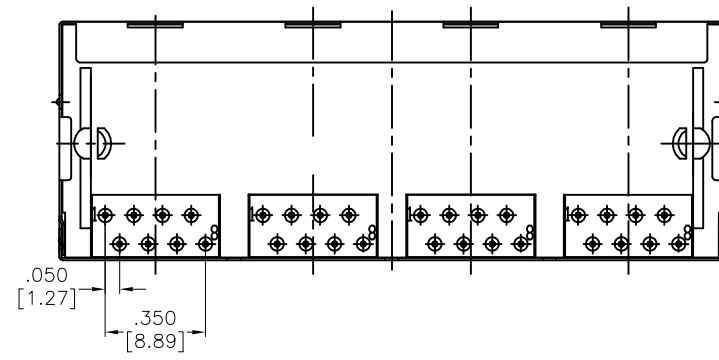
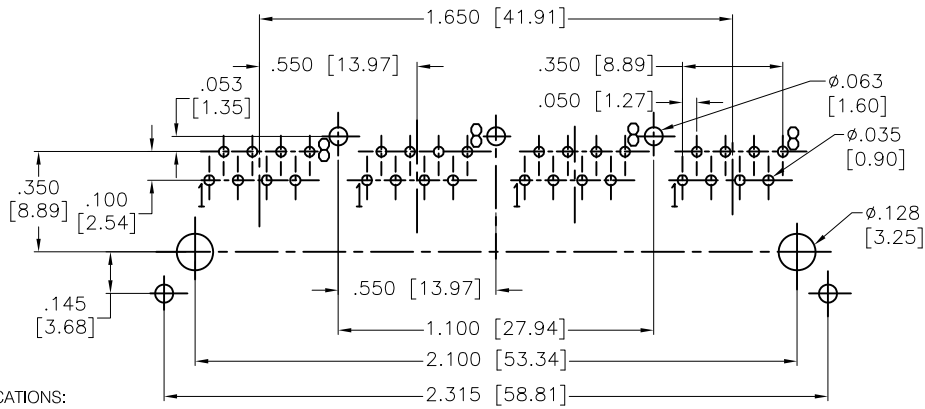
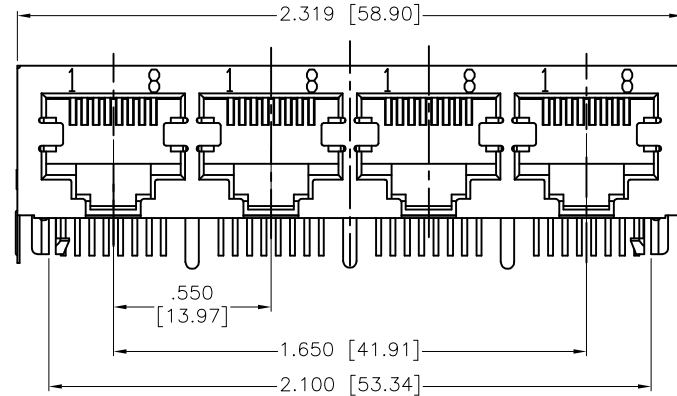
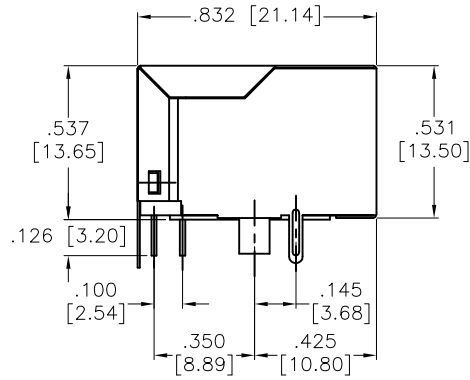


APPROVED: _____
 DATE: _____ TITLE: _____

Rev	AWO #	Description	Date	Appr
-		RELEASED	04/28/05	
A		REDRAWN	6/3/15	AY/AC
B		UPDATE DRAWING	10/2/18	AY/OC



SPECIFICATIONS:
 Material:
 Insulator: PBT, rated UL 94V-0
 Insulator color: Black
 Contacts: Phosphor Bronze
 Shield: Brass, Nickel plated
 Contacts Plating:
 Round contact
 Gold over Nickel underplate overall
 Flat contact
 Gold over Nickel underplate on contact area,
 Tin over Nickel underplate on solder tails

RECOMMENDED PCB LAYOUT
 Electrical:
 Voltage rating: 150 VAC rms
 Current rating: 1.5 Amps
 Contact resistance: 20 mohms max
 Insulation resistance: 1000 Mohms min @ 500 VDC
 Dielectric withstanding voltage:
 Contact to Contact: 1,000 VDC or AC Peak for 1 minute
 Contact to Screen and Test panel: 1,500 VDC or AC Peak for 1 minute
 Temperature Rating:
 Operating temperature: -40°C to +85°C
 Environmental:
 Lead free, RoHS compliant.



UNLESS OTHERWISE SPECIFIED ALL DIMENSIONS ARE INCHES [MM] TOLERANCES: EXCEPT AS NOTED			
INCHES		HOLES	
.X	± .10	Ø.X	± .10
.XX	± .020	Ø.XX	± .015
.XXX	± .015	Ø.XXX	± .010
APPROVALS		DATE	
DRAWN	SLS	04/28/05	
CHECKED			
APPROVED			



TITLE MODULAR GANGED JACK, 4 PORT, 8P8C, RIGHT ANGLE SHIELDED			
SIZE X	PART NO. MTJG-4-88GX1-FSB	REV. B	
REF: S00005C	SCALE: NTS	SHEET 1 OF 1	