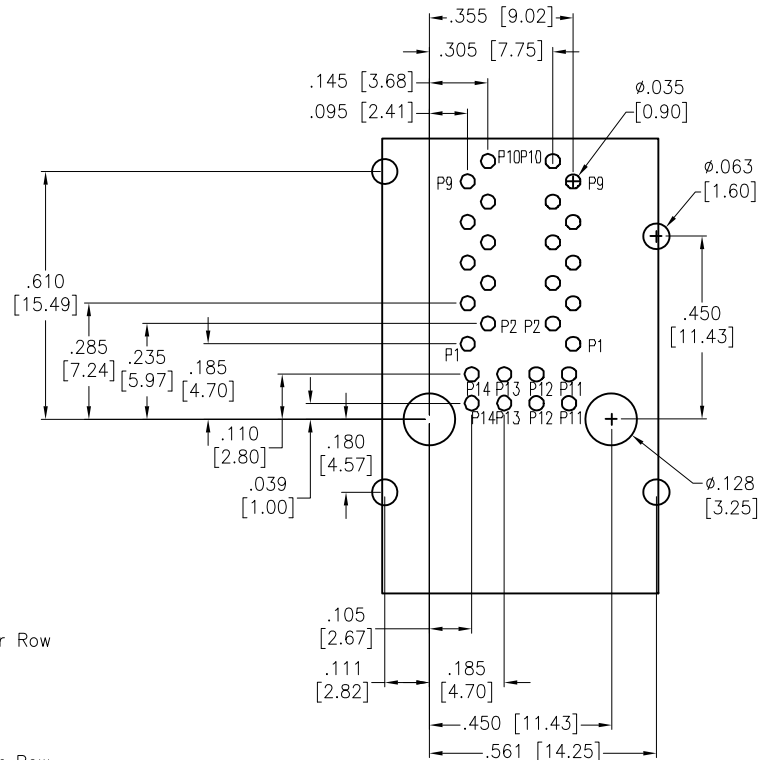
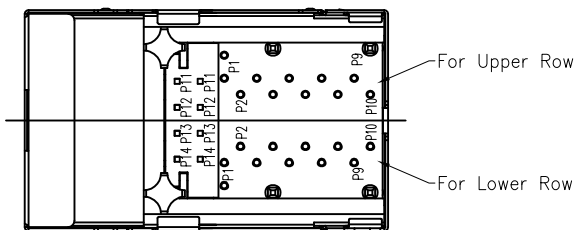
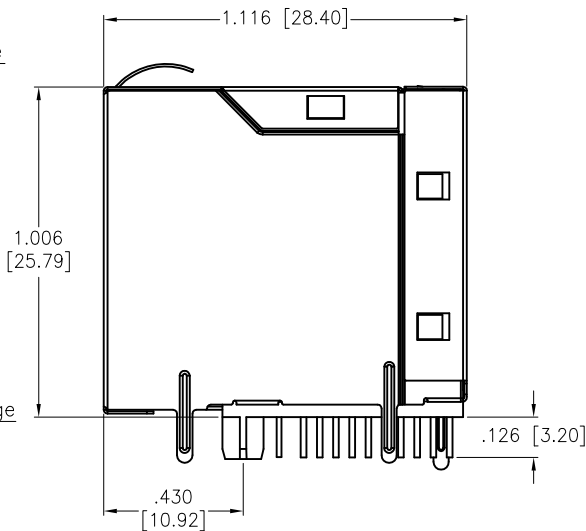
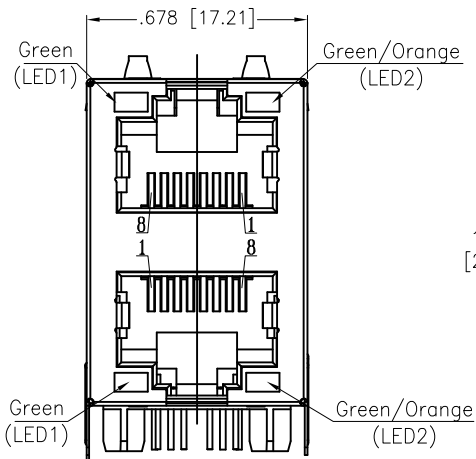


APPROVED: _____
 DATE: _____ TITLE: _____

Rev	AWO #	Description	Date	Appr
-		RELEASED	2/19/20	



RECOMMENDED PCB LAYOUT

SPECIFICATIONS:

Material:
 Insulator: PA66, rated UL 94V-0
 Insulator color: Black
 Contacts: Copper Alloy
 Shield: Brass, Nickel plated
 Plating:
 Round contact
 Gold over Nickel underplate overall
 Flat contact
 Gold over Nickel underplate on contact area,
 Tin over Nickel underplate on solder tails
 Electrical:
 Voltage rating: 150 VAC max
 Contact Resistance: 20 mohms max
 Insulation resistance: 500 Mohms min
 Dielectric withstanding voltage: 2,250 VDC
 Temperature Rating:
 Operating temperature: -40°C to +85°C
 Environmental:
 Lead free, RoHS compliant.

UNLESS OTHERWISE SPECIFIED
 ALL DIMENSIONS ARE INCHES [MM]
 TOLERANCES: EXCEPT AS NOTED
 INCHES HOLES
 .X ± .10 Ø.X ± .10
 .XX ± .020 Ø.XX ± .015
 .XXX ± .015 Ø.XXX ± .010

APPROVALS		DATE
DRAWN	AY	2/19/20
CHECKED	LW	2/19/20
APPROVED		

TITLE MODULAR JACK GANGED, 2 PORT, 8P8C W/ LED1 GREEN LED2 GREEN/ORANGE		
SIZE	PART NO.	REV.
X	MTJG-2-88JX1-V-FSG-PG2T-L36-M154C-WOT	-
REF: S00005C	SCALE: NTS	SHEET 1 OF 2

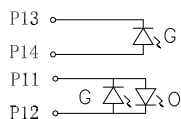
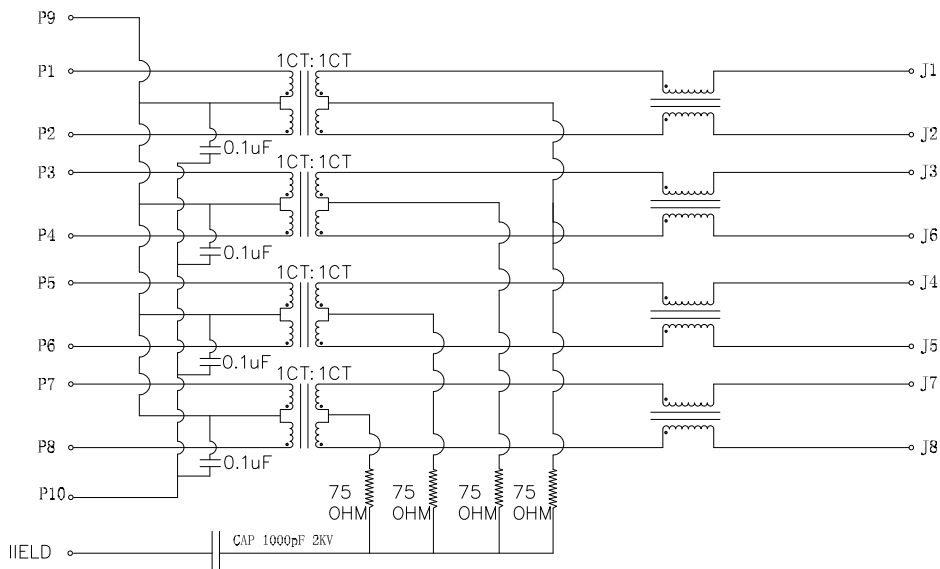
APPROVED: _____

DATE: _____ TITLE: _____

Rev	AWO #	Description	Date	Appr
-----	-------	-------------	------	------

SEE SHT 1 OF 2 FOR REVISION

Circuit Schematic:



Pin	Green	Green	Orange
P13	-	P11	-
P14	+	P12	+

Electronical Specifications:

- Turn Ratio @100KHz: (P1~P2):(J1~J2) = 1:1±5%
(P3~P4):(J3~J6) = 1:1±5%
(P5~P6):(J4~J5) = 1:1±5%
(P7~P8):(J7~J8) = 1:1±5%
- Primary Inductance: 350uH MIN @100KHZ,0.1V 8mA DC BIAS
- DC Resistance: 1.2 OHMS MAX
- Insertion Loss: 1-100MHz -1.0dB MAX
100-125MHz -1.2dB MAX
- Return Loss: 1-40MHz -16dB MIN
40-60MHz -12dB MIN
60-80MHz -10dB MIN
80-100MHz -8dB MIN
- Cross Talk: 1-100MHz -30dB MIN
- COMMON TO COMMON MODE ATTENUATION: 1-100MHz -30dB MIN
- Isolation: PHY Side to Line Side: 2250VDC

UNLESS OTHERWISE SPECIFIED
ALL DIMENSIONS ARE INCHES [MM]
TOLERANCES: EXCEPT AS NOTED
INCHES HOLES

.X	± .10	∅.X	±.10
.XX	± .020	∅.XX	±.015
.XXX	± .015	∅.XXX	±.010

APPROVALS		DATE
DRAWN	AY	2/19/20
CHECKED	LW	2/19/20
APPROVED		

TITLE
**MODULAR JACK GANGED, 2 PORT, 8P8C
W/ LED1 GREEN LED2 GREEN/ORANGE**

SIZE	PART NO.	REV.
X	MTJG-2-88JX1-V-FSG-PG2T-L36-M154C-WOT	-
REF:	S00005C	SCALE: NTS
		SHEET 1 OF 2