

6

5

4

3

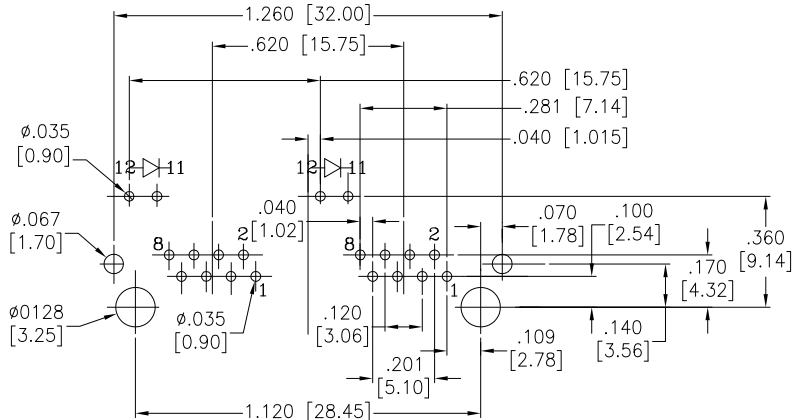
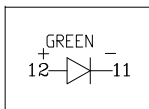
2

1

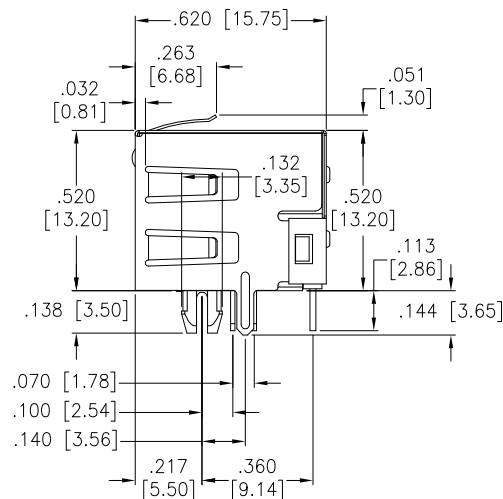
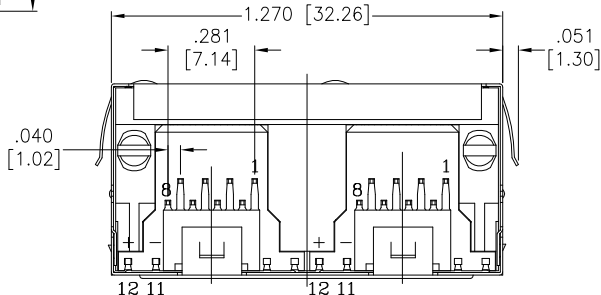
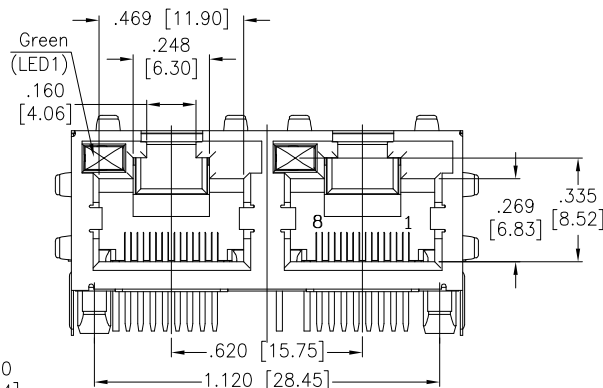
APPROVED: _____

DATE: _____ TITLE: _____

Rev	AWO #	Description	Date	Appr
-		RELEASED	7/12/16	



RECOMMENDED PCB LAYOUT



SPECIFICATIONS:

Material:

Insulator: PBT, rated UL 94V-0

Insulator color: Black

Contacts: Phosphor Bronze

Shield: Copper Alloy, Nickel plated

Contacts Plating:

Round contact

Gold over Nickel underplate overall

Flat contact

Gold over Nickel underplate on contact area,

Tin over Nickel underplate on solder tails

Electrical:

Voltage rating: 150 VAC Rms

Current rating: 1.5 Amps max

Contact Resistance: 20 mohms max.

Insulation resistance: 1,000 Mohms min @ 500 VDC

Dielectric withstanding voltage:

Contact to Contact: 1,000 VDC or AC Peak for 1 minute

Contact to Screen and Test panel: 1,500 VDC or AC Peak for 1 minute

Temperature Rating:

Operating temperature: -40°C to +85°C

Environmental:

Lead free, RoHS Compliant



UNLESS OTHERWISE SPECIFIED ALL DIMENSIONS ARE INCHES [MM] TOLERANCES: EXCEPT AS NOTED			
INCHES		HOLES	
.X	± .10	Ø.X	± .10
.XX	± .020	Ø.XX	± .015
.XXX	± .015	Ø.XXX	± .010
APPROVALS		DATE	
DRAWN	AY	7/12/16	
CHECKED	LL	7/12/16	
APPROVED			



TITLE
**MODULAR TELEPHONE JACK, GANGED
 8P8C, W/ LED1 GREEN, LED2 BLANK**

SIZE X	PART NO. MTJG-2-88ARX1C-FSW-PG-LE	REV. -
REF: S00005C	SCALE: NTS	SHEET 1 OF 1

6

5

4

3

2

1