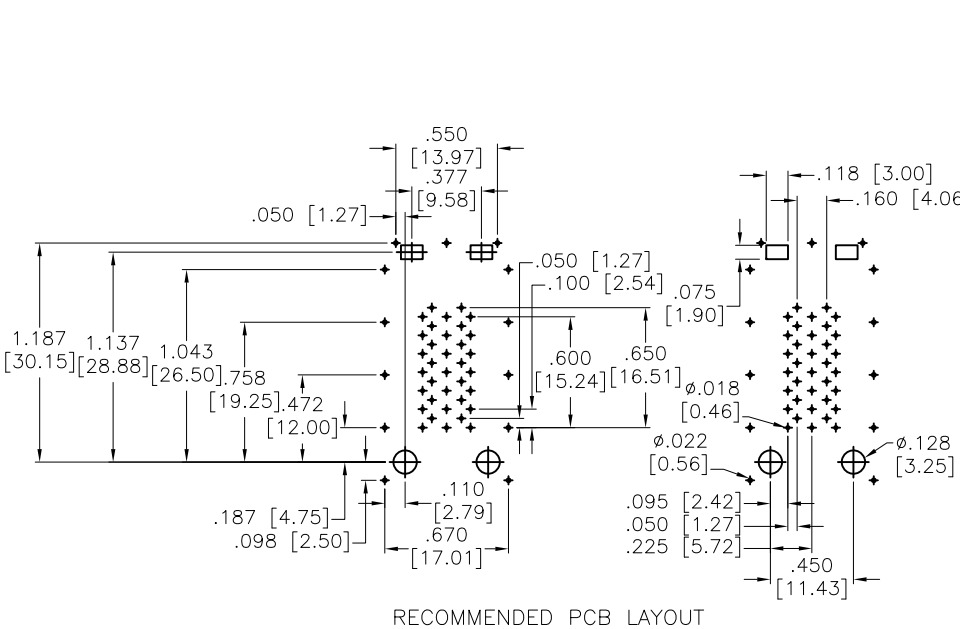
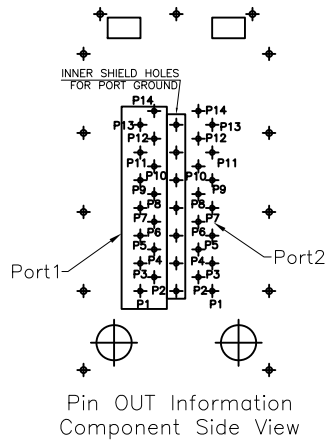
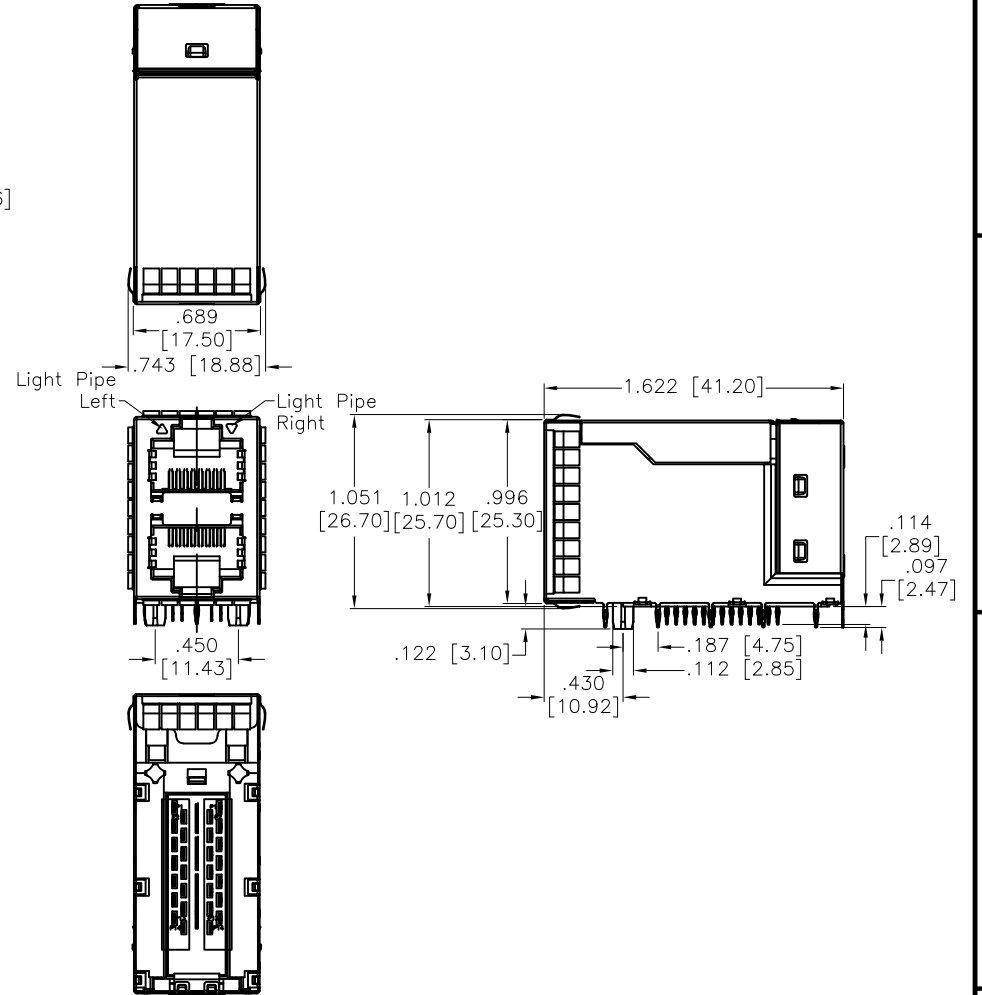


Rev	AWO #	Description	Date	Appr
-		RELEASED	4/18/23	

APPROVED: \_\_\_\_\_  
 DATE: \_\_\_\_\_ TITLE: \_\_\_\_\_



RECOMMENDED PCB LAYOUT



Pin OUT Information  
Component Side View

**SPECIFICATIONS:**  
 Material:  
 Insulator: Thermoplastic, rated UL 94V-0  
 Insulator color: Black  
 Module Case: Hi-Temp Thermoplastic rated UL 94V-0  
 Contacts: Phosphor Bronze  
 Solder Tail Terminal: Brass, Tin Plated  
 Shell: Stainless Steel, Nickel Plated  
 Plating:  
 Round contact  
 Gold over Nickel underplate overall  
 Flat contact  
 Gold over Nickel underplate on contact area  
 Tin over Nickel underplate on solder tails  
 Electrical:  
 Insulation resistance: 500 Mohms min  
 Dielectric withstanding voltage: 1,500VAC or 2250VDC  
 Temperature Rating:  
 Operating temperature: -40°C to +85°C  
 Environmental:  
 Lead free, RoHS compliant.



UNLESS OTHERWISE SPECIFIED ALL DIMENSIONS ARE INCHES [MM]. TOLERANCES: EXCEPT AS NOTED

INCHES	HOLES
.X ± .10	ØX ± .10
.XX ± .020	ØXX ± .015
.XXX ± .015	ØXXX ± .010

DRAWN	LH	4/18/23
CHECKED	TW	4/18/23
APPROVED		

THIS DRAWING CONTAINS INFORMATION THAT IS PROPRIETARY AND SHOULD NOT BE USED WITHOUT PRIOR WRITTEN PERMISSION FROM ADAM TECH



TITLE MODULAR TELEPHONE JACK, GANGED, 8P8C, 2 PORTS, W/ LIGHT PIPE		
SIZE X	PART NO. MTJG-2-88JX1-FS-PG-LTP-M464Y-WOT	REV. -
REF: S00101C	SCALE: NTS	SHEET 1 OF 2

6

5

4

3

2

1

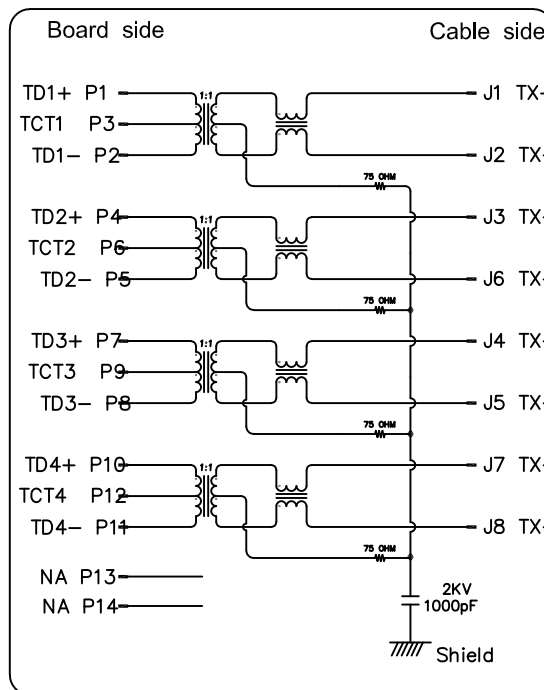
APPROVED: \_\_\_\_\_

DATE: \_\_\_\_\_ TITLE: \_\_\_\_\_

Rev	AWO #	Description	Date	Appr
-----	-------	-------------	------	------

SEE SHT 1 OF 2 FOR REVISION

SCHEMATIC FOR RJ45:



ELECTRICAL CHARACTERISTICS :

1. INSERTION LOSS :
  - 1-400 MHz -3.0dB MAX
2. RETURN LOSS(LOAD 100Ω) :
  - 1-100 MHz -22dB MIN
  - 100-500 MHz -22+20.75LOG(F/100)dB MIN
3. CMRR
  - 1-500 MHz -20dB MIN
4. DCMR
  - 1-500 MHz <-45+(F/35) dB MIN
7. CROSS TALK
  - 1-500 MHz -25dB MIN
8. INDUCTANCE @ 100KHz, 0.1V
  - (P1-P2),(P4-P5),(P7-P8),(P10-P11) : 180 uH MIN
9. HI-POT TEST
  - PCB SIDE TO CABLE SIDE : 1500VAC 60S OR 2250VDC 60S

UNLESS OTHERWISE SPECIFIED ALL DIMENSIONS ARE INCHES [MM]. TOLERANCES: EXCEPT AS NOTED

INCHES		HOLES	
.X	± .10	ØX	±.10
.XX	± .020	ØXX	±.015
.XXX	± .015	ØXXX	±.010

DRAWN	LH	4/18/23
CHECKED	TW	4/18/23
APPROVED		

THIS DRAWING CONTAINS INFORMATION THAT IS PROPRIETARY AND SHOULD NOT BE USED WITHOUT PRIOR WRITTEN PERMISSION FROM ADAM TECH



TITLE MODULAR TELEPHONE JACK, GANGED, 8P8C, 2 PORTS, W/ LIGHT PIPE

SIZE X	PART NO. MTJG-2-88JX1-FS-PG-LTP-M464Y-WOT	REV. -
REF: S00101C	SCALE: NTS	SHEET 2 OF 2

6

5

4

3

2

1