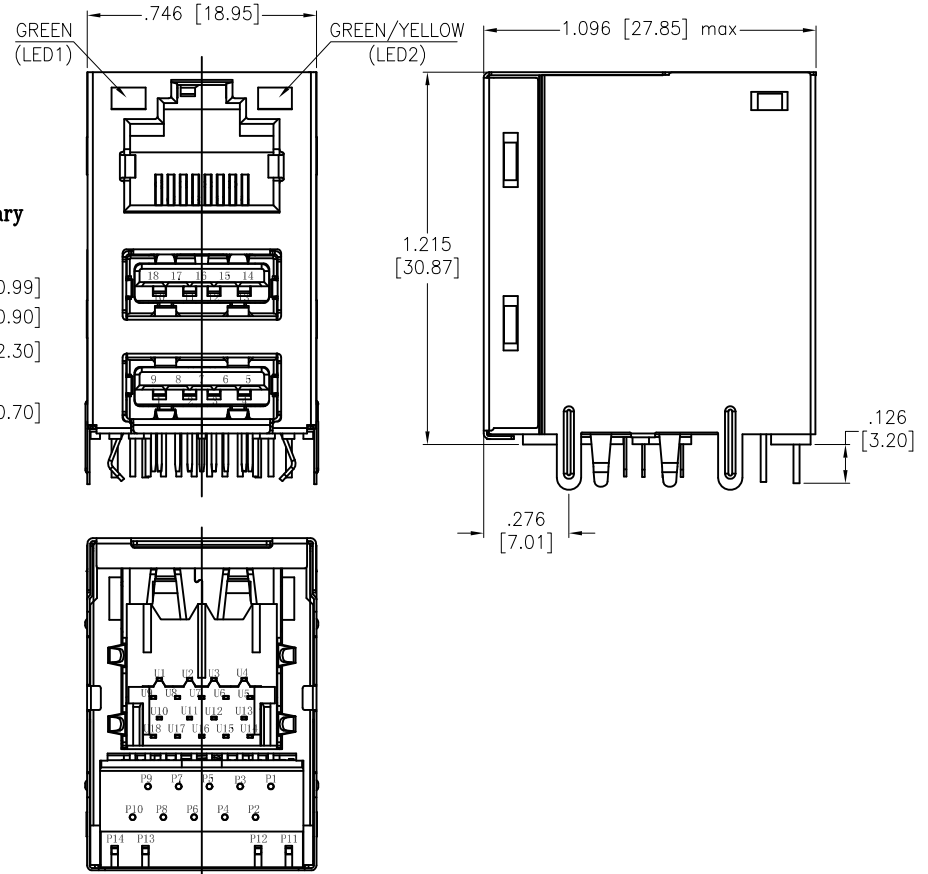
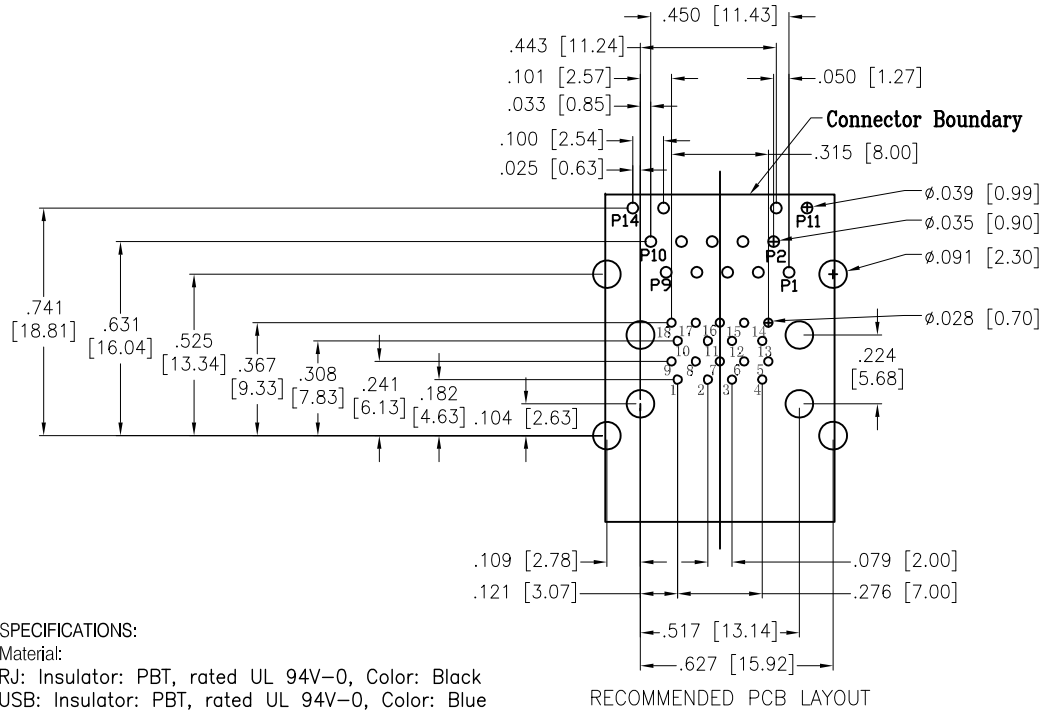


APPROVED: _____
 DATE: _____ TITLE: _____

Rev	AWO #	Description	Date	Appr
-		RELEASED	5/3/18	
A		UPDATE DRAWING	7/2/18	AY/MY
B		UPDATE SPEC.	10/4/19	AY/IW



SPECIFICATIONS:
 Material:
 RJ: Insulator: PBT, rated UL 94V-0, Color: Black
 USB: Insulator: PBT, rated UL 94V-0, Color: Blue
 Contacts: Phosphor Bronze
 RJ: Front Shield: SUS304
 Back Shield: Brass, Preplated
 USB Shield: Brass, Nickel plated
 Plating:
 Round contact
 Gold over Nickel underplate overall
 Flat contact
 Gold over Nickel underplate on contact area,
 Tin over Nickel underplate on solder tails
 Electrical:
 Voltage rating: 150 VAC
 Contact Resistance: 20 mohms max.
 Insulation resistance: 500 Mohms min
 Dielectric withstanding voltage: 2250 VDC
 Temperature Rating:
 Operating temperature: -40°C to +85°C
 Environmental:
 Lead free, RoHS compliant.



UNLESS OTHERWISE SPECIFIED
 ALL DIMENSIONS ARE INCHES [MM]
 TOLERANCES: EXCEPT AS NOTED
 INCHES HOLES
 .X ± .10 Ø.X ± .10
 .XX ± .020 Ø.XX ± .015
 .XXX ± .015 Ø.XXX ± .010



APPROVALS		DATE
DRAWN	AY	5/3/18
CHECKED	MY	5/3/18
APPROVED		

TITLE MODULAR TELEPHONE JACK, 1 PORT, 8P8C, W/ DUAL USB, W/ LED1 GREEN, LED2 GREEN/YELLOW		
SIZE X	PART NO. MTJ-DUSB3-88JX1-FS-L35-M267C	REV. B
REF: S00005C	SCALE: NTS	SHEET 1 OF 2

6

5

4

3

2

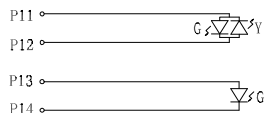
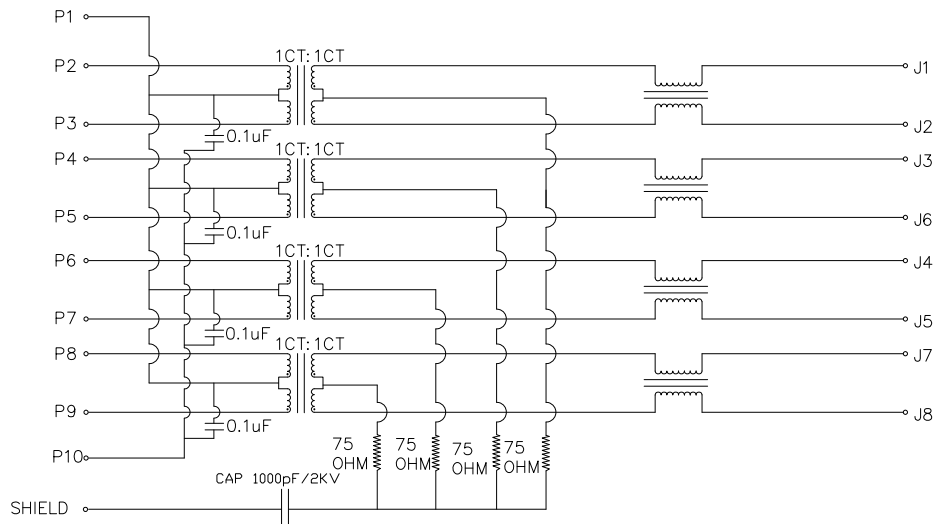
1

APPROVED: _____

DATE: _____ TITLE: _____

Rev	AWO #	Description	Date	Appr
-----	-------	-------------	------	------

SEE SHT 1 OF 2 FOR REVISION



Pin	Yellow	Green		Green
P11	-	+	P13	+
P12	+	-	P14	-

Electronical Specifications:

- Turn Ratio @100KHz: (P2~P3):(J1~J2) = 1:1±5%
(P4~P5):(J3~J6) = 1:1±5%
(P6~P7):(J4~J5) = 1:1±5%
(P8~P9):(J7~J8) = 1:1±5%
- Primary Inductance: 350uH MIN @100KHZ,0.1V 8mA DC BIAS
- DC Resistance: 1.2 OHMS MAX
- Insertion Loss: 1-100MHz -1.0dB MAX
100-125MHz -1.2dB MAX
- Return Loss: 1-40MHz -16dB MIN
40-60MHz -12dB MIN
60-80MHz -10dB MIN
80-100MHz -8dB MIN
- CROSS TALK: 1-100MHz -30dB MIN
- COMMON TO COMMON MODE ATTENUATION: 1-100MHz -30dB MIN
- Isolation: PHY Side to Line Side: 2250VDC

UNLESS OTHERWISE SPECIFIED
ALL DIMENSIONS ARE INCHES [MM]
TOLERANCES: EXCEPT AS NOTED
INCHES HOLES

.X	± .10	Ø.X	± .10
.XX	± .020	Ø.XX	± .015
.XXX	± .015	Ø.XXX	± .010



APPROVALS		DATE
DRAWN	AY	5/3/18
CHECKED	MY	5/3/18
APPROVED		

TITLE MODULAR TELEPHONE JACK, 1 PORT, 8P8C, W/ DUAL USB, W/ LED1 GREEN, LED2 GREEN/YELLOW		
SIZE X	PART NO. MTJ-DUSB3-88JX1-FS-L35-M267C	REV. B
REF: S00005C	SCALE: NTS	SHEET 2 OF 2

6

5

4

3

2

1