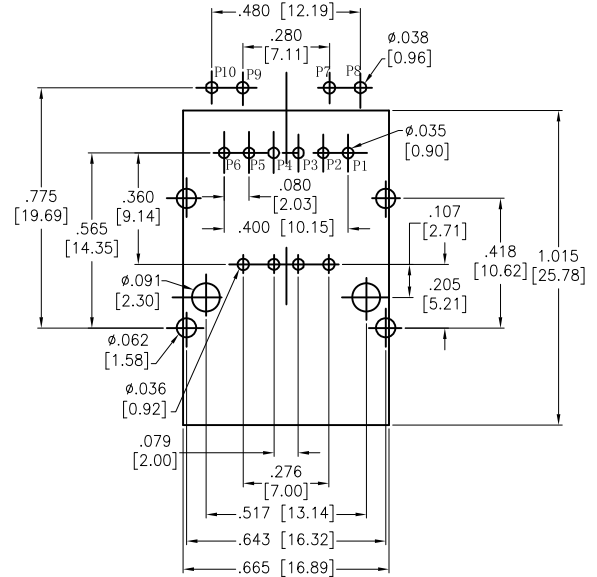
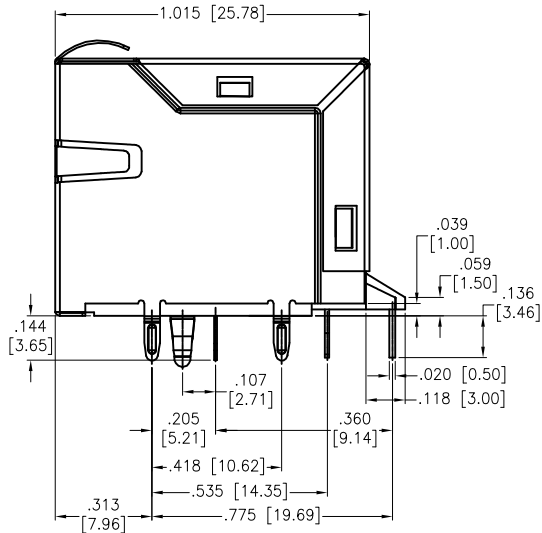
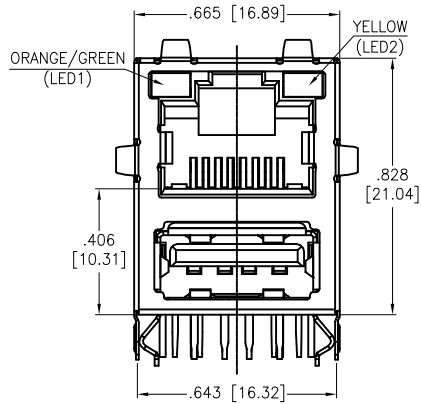
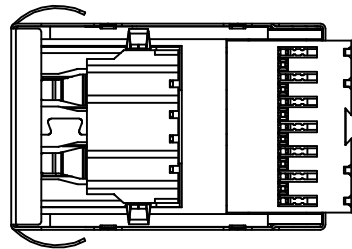


APPROVED: _____
 DATE: _____ TITLE: _____

Rev	AWO #	Description	Date	Appr
-	9785	RELEASED	10/16/09	
A		REDRAWN	02/17/12	
B		REVISED SHAPE & SPEC.	1/2/13	



RECOMMENDED PCB LAYOUT



SPECIFICATIONS:

Material:
 Insulator: PBT, glass reinforced, thermoplastic, rated UL 94V-0
 Insulator color: Black
 Contacts: Phosphor Bronze
 Shield: Copper Alloy, Nickel plated

Plating:
 Round contact
 Gold over Nickel underplate overall
 Flat contact
 Gold over Nickel underplate on contact area,
 Tin over Nickel underplate on solder tails
 (See chart for thickness)

Electrical:
 RJ45:
 Insulation Resistance: 500M ohm Min
 Dielectric Withstanding Voltage: 1000VAC Min
 USB:

Contact Current Rating: 1.5A Max
 Contact Resistance: 30m ohm Max
 Insulation Resistance: 1000M ohm Min
 Dielectric Withstanding Voltage: 500VAC Min
 Temperature Rating:
 Operating temperature: 0°C to +70°C
 Environmental:
 Lead free, RoHS compliant.

X	PLATING
0	15 µin Gold
1	30 µin Gold
2	50 µin Gold
6	6 µin Gold

UNLESS OTHERWISE SPECIFIED
 ALL DIMENSIONS ARE INCHES [MM]
 TOLERANCES: EXCEPT AS NOTED
 INCHES HOLES
 .X ± .10 Ø.X ± .10
 .XX ± .020 Ø.XX ± .015
 .XXX ± .015 Ø.XXX ± .010

APPROVALS		DATE
DRAWN	DY	10/16/09
CHECKED		
APPROVED		



TITLE
 MODULAR JACK GANGED, 1 PORT, 8P8C
 RJ45+ USB 2.0 W/LED

SIZE	PART NO.	REV.
X	MTJ-USB-88JX1-FS-PG-LL-M41	B
REF: S00005C	SCALE: NTS	SHEET 1 OF 2



