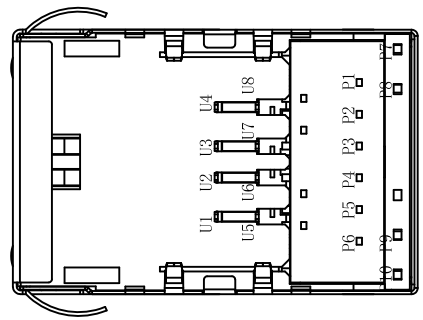
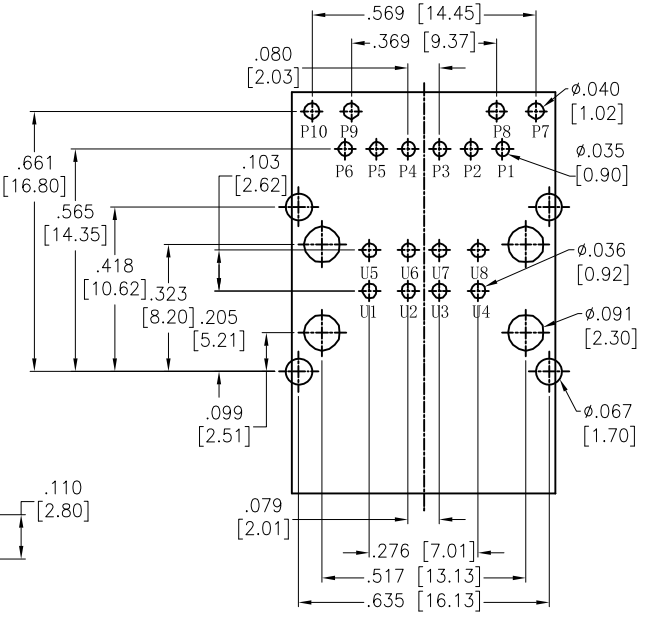
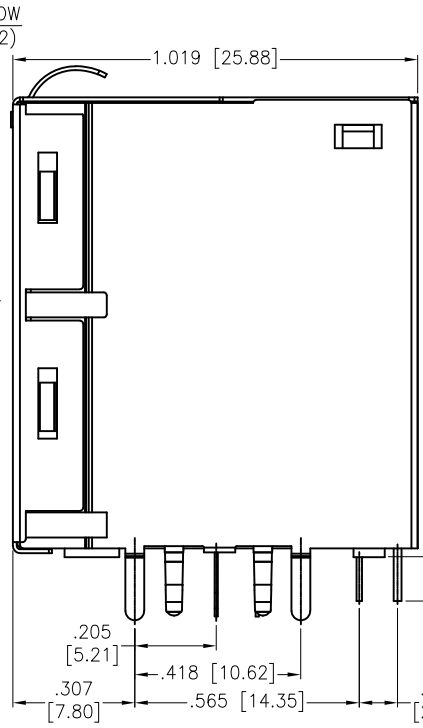
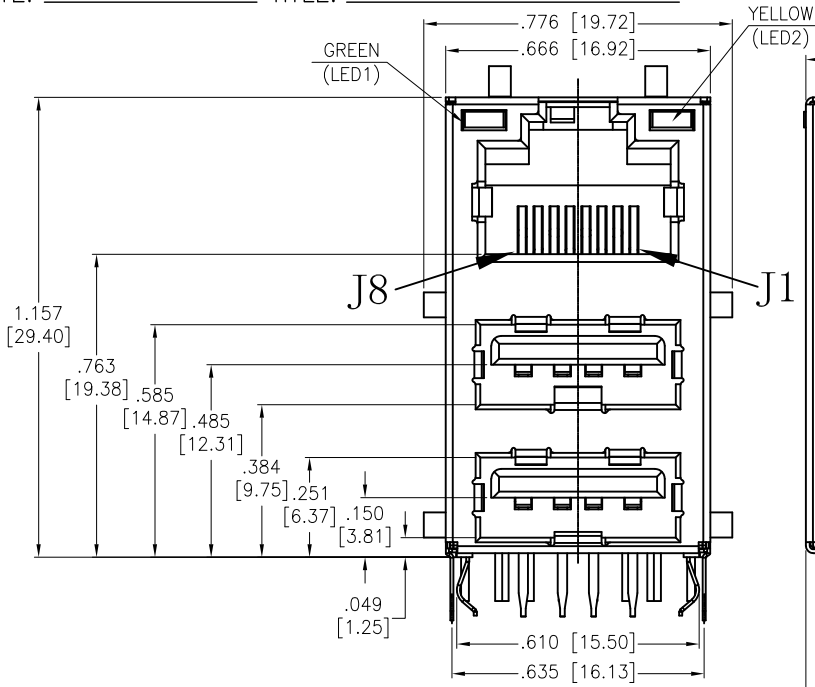


Rev	AWO #	Description	Date	Appr
-		RELEASED	1/24/22	

APPROVED: _____
DATE: _____ TITLE: _____



SPECIFICATIONS:

Material:
Insulator: PBT, rated UL 94V-0
Insulator color: Black
Contacts: Phosphor Bronze
Shield: Brass, Nickel plated
Plating:
Round contact
Gold over Nickel underplate overall
Flat contact
Gold over Nickel underplate on contact area,
Tin over Nickel underplate on solder tails
Electrical:
Voltage rating: 150 VAC
Contact Resistance: 20 mohms max.
Insulation resistance: 500 Mohms min
Dielectric withstanding voltage: 1500 VAC or 2250 VDC
Temperature Rating:
Operating temperature: -40°C to +85°C
Environmental:
Lead free, RoHS compliant.



UNLESS OTHERWISE SPECIFIED ALL DIMENSIONS ARE INCHES [MM]. TOLERANCES: EXCEPT AS NOTED

.X	± .10	∅X	± .10
.XX	± .020	∅XX	± .015
.XXX	± .015	∅XXX	± .010



DRAWN	WX	1/24/22
CHECKED	NL	1/24/22
APPROVED		
THIS DRAWING CONTAINS INFORMATION THAT IS PROPRIETARY AND SHOULD NOT BE USED WITHOUT PRIOR WRITTEN PERMISSION FROM ADAM TECH		

TITLE MODULAR TELEPHONE JACK, 1 PORT, 8P8C W/ DUAL USB, W/ LED1 GREEN, LED2 YELLOW		
SIZE X	PART NO. MTJ-DUSB-88JX1-FS-PG-LH-M41C-WOT	REV. -
REF: S00005C	SCALE: NTS	SHEET 1 OF 2

6

5

4

3

2

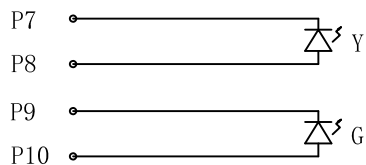
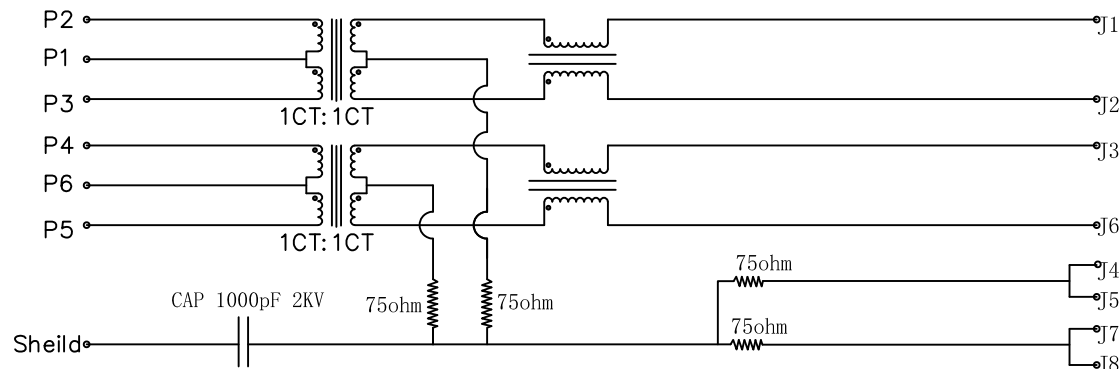
1

Rev	AWO #	Description	Date	Appr
SEE SHT 1 OF 2 FOR REVISION				

APPROVED: _____

DATE: _____ TITLE: _____

Circuit Schematic:



Pin	Yellow		Green
P7	-	P10	+
P8	+	P9	-

Electronical Specifications:

- Turn Ratio @100KHz: (P2~P3):(J1~J2) = 1:1±5%
(P4~P5):(J3~J6) = 1:1±5%
- Primary Inductance: 350uH MIN @100KHZ,0.1V 8mA DC BIAS
- DC Resistance:(J1~J2):(J3~J6) 1.2 OHMS MAX
- Insertion Loss: 1-100MHz -1.2dB MAX
- Return Loss: 1-30MHz -16dB MIN
30-60MHz -12dB MIN
60-80MHz -10dB MIN
- CROSS TALK: 1-100MHz -30dB MIN
- COMMON TO COMMON MODE ATTENUATION: 1-100MHz -30dB MIN
- Isolation: PHY Side to Line Side: 1500VAC OR 2250VDC

UNLESS OTHERWISE SPECIFIED ALL DIMENSIONS ARE INCHES [MM]. TOLERANCES: EXCEPT AS NOTED

INCHES		HOLES	
.x	± .10	Øx	±.10
.xx	± .020	Øxx	±.015
.xxx	± .015	Øxxx	±.010

DRAWN	WX	1/24/22
CHECKED	NL	1/24/22
APPROVED		

THIS DRAWING CONTAINS INFORMATION THAT IS PROPRIETARY AND SHOULD NOT BE USED WITHOUT PRIOR WRITTEN PERMISSION FROM ADAM TECH



TITLE
MODULAR TELEPHONE JACK, 1 PORT, 8P8C
W/ DUAL USB, W/ LED1 GREEN, LED2 YELLOW

SIZE	PART NO.	REV.
X	MTJ-DUSB-88JX1-FS-PG-LH-M41C-WOT	-

REF: S00005C	SCALE: NTS	SHEET 2 OF 2
--------------	------------	--------------

6

5

4

3

2

1